

TH 025 CONNECTOR SERIES

for the Automotive Industry

INNOVATIVE TECHNOLOGIES

TE Connectivity (TE) is a leader in automotive connectivity and sensor technology. Our engineers are always working to meet complex requirements. We connect nearly every electronic function in the vehicle - from alternative power systems to infotainment and sensor technologies. Our technologies withstand harsh environments and tolerate high temperature, vibration, shock, pressure and long-life in electronic control systems.



INTERCONNECTION SYSTEMS

Our electrical and electronic interconnection products and solutions are used to electrically and mechanically connect wires and cables, printed circuit boards, integrated circuit packages, batteries and more.



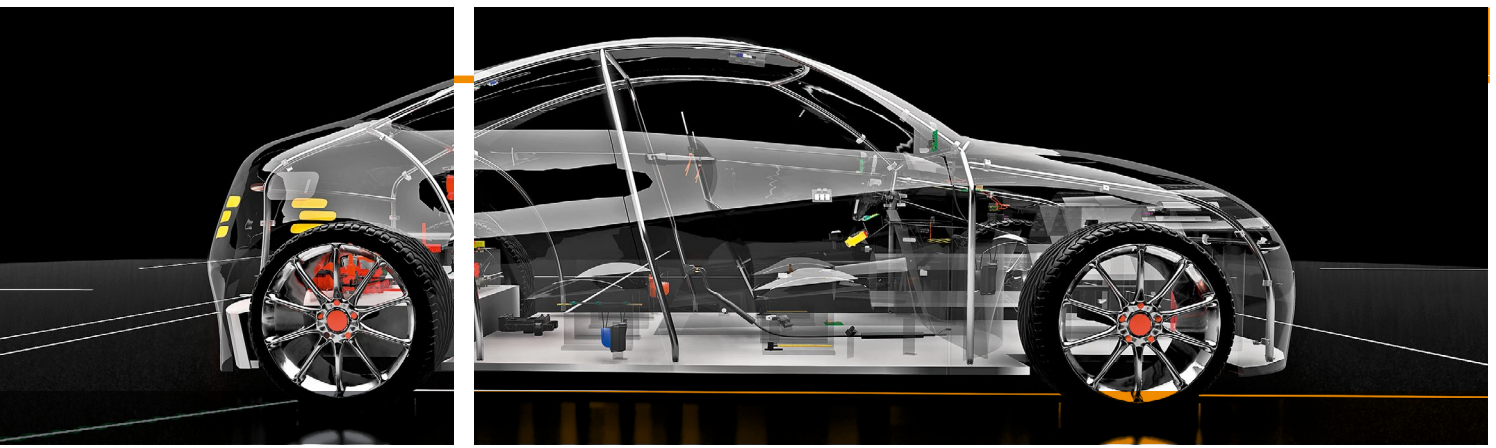
CABLE ASSEMBLIES

TE is your partner for vehicle-specific cable assemblies. We offer research and development capabilities, prototypes and samples, as well as manufacturing facilities.



HYBRID & ELECTRIC MOBILITY SOLUTIONS

Our technologies leverage decades of innovation and experience with high-voltage transmission and distribution. Our hybrid and electric mobility solutions include a complete line of connectors, terminals, sensors, cable assemblies, contactors, and battery connection protection to help safeguard the flow of power in hybrid and electric vehicles. Connection after connection, you can count on TE for smaller, greener, lighter and smarter solutions you can trust.



SENSOR SOLUTIONS

Data is critical for making vehicles safer, greener, smarter and more connected. Customers rely on our sensor technology to provide data for control, adaptation and response of vehicle functions and features that increase safety, comfort, efficiency, and more. We collaborate to provide solutions for demanding and harsh applications such as automated transmissions, engines, chassis, clutch, brake and exhaust. Our products can be found in vehicles traveling the world's roads and highways.





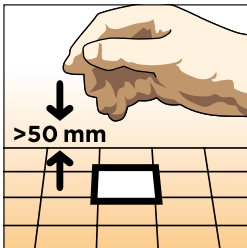

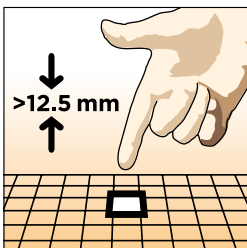
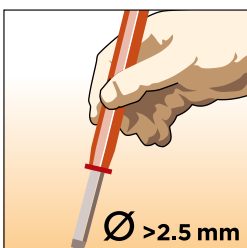
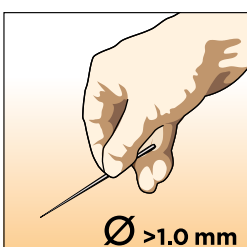
INFOTAINMENT


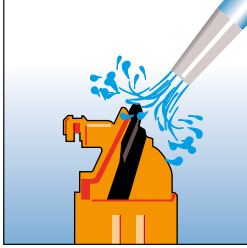


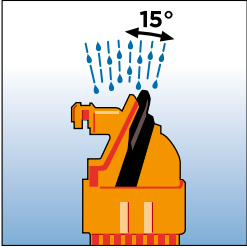

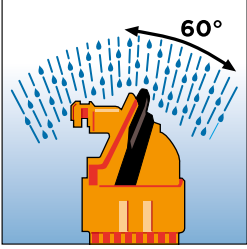
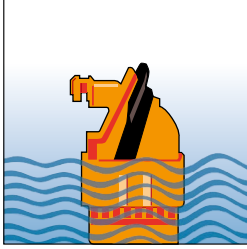
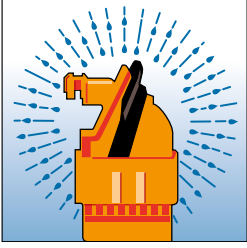
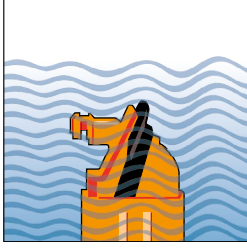


Our wide range of infotainment solutions are ideal for consumer port connections, high data rate applications, next-generation harness architecture, board-to-board connections and vehicle-to-vehicle communication.



RELAYS

From passenger comfort and infotainment to higher DC voltages and power levels to harsh environments, our relays and contactors provide critical switching functions in multiple vehicle applications. With increased contact gaps and other key design features, our relays are ideal for harsh environments such as shock and vibration.

1st Digit Against Foreign Objects (incl. Dust)	1st Digit Against Foreign Objects (incl. Dust)
<p>0</p>  <p>Not protected.</p>	<p>5K</p>  <p>Dust protected.</p>
<p>1</p>  <p>Protected against solid objects greater than 50 mm (ex. back of hand).</p>	<p>6K</p>  <p>Dust tight.</p>
<p>2</p>  <p>Protected against solid objects greater than 12.5 mm (ex. finger).</p>	
<p>3</p>  <p>Protected against solid objects greater than 2.5 mm (ex. tool).</p>	
<p>4</p>  <p>Protected against solid objects greater than 1.0 mm (ex. wire).</p>	

2nd Digit	Against Water	2nd Digit	Against Water
0	 <p>Not protected.</p>	5	 <p>Protected against jetting water.</p>
1	 <p>Protected against vertically dripping water.</p>	6	 <p>Protected against powerfully jetting water.</p>
2	 <p>Protected against dripping water when tilted up to 15°.</p>	6K	 <p>Protected against powerfully jetting water with increased pressure (Automotive).</p>
3	 <p>Protected against spraying water (up to 60° inclination).</p>	7	 <p>Protected against the temporary effects of immersion up to 1 meter.</p>
4	 <p>Protected against splashing water.</p>	8	 <p>Protected against continuous submersion agreed with customer, but more severe than code 7.</p>
4K	 <p>Protected against splashing water with increased pressure.</p>	9K	 <p>Protected against high-pressure/steam-jet cleaning (Automotive).</p>

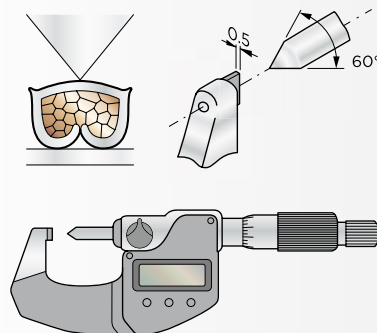
Good Crimp Quality

<p>Bellmouth permissible</p> <p>Bellmouth must always be present</p> <p>Cut-off tab present</p>	<p>F-CRIMP</p>	<p>Crimp barrel closed Insulation is securely held</p>
<p>Insulation visible</p> <p>Conductor visible</p> <p>Locking lances and terminal body not deformed</p>	<p>OVERLAP CRIMP</p>	<p>Crimp legs overlap Insulation is securely held</p>
<p>Anvil imprint symmetrical</p>	<p>WRAP OVER CRIMP</p>	<p>Crimp legs must pass each other Insulation is securely held</p>
<p>Correct selection</p> <p>of wire, terminal and applicator Crimp barrel is closed, legs support each other, sufficient gap between legs and bottom of crimp, all strands are equally distributed and deformed</p>		

Test

<p>WIRE CRIMP</p>	<p>Crimp heights and tolerances</p> <p>For crimp height tolerances for any given contact, please refer to the relevant application specification.</p> <p>Examples</p> <table border="1"> <thead> <tr> <th>Contact</th> <th>P/N</th> <th>Wire Range</th> <th>Tolerance</th> <th>Spec.</th> </tr> </thead> <tbody> <tr> <td>JJPT</td> <td>927775</td> <td>0.50-1.00 mm²</td> <td>±0.05 mm</td> <td>114-18050</td> </tr> <tr> <td>JPT</td> <td>927773</td> <td>1.50-2.50 mm²</td> <td>±0.05 mm</td> <td>114-18050</td> </tr> <tr> <td>MQS</td> <td>962885</td> <td>0.20-0.50 mm²</td> <td>±0.03 mm</td> <td>114-18025</td> </tr> </tbody> </table>	Contact	P/N	Wire Range	Tolerance	Spec.	JJPT	927775	0.50-1.00 mm ²	±0.05 mm	114-18050	JPT	927773	1.50-2.50 mm ²	±0.05 mm	114-18050	MQS	962885	0.20-0.50 mm ²	±0.03 mm	114-18025
Contact	P/N	Wire Range	Tolerance	Spec.																	
JJPT	927775	0.50-1.00 mm ²	±0.05 mm	114-18050																	
JPT	927773	1.50-2.50 mm ²	±0.05 mm	114-18050																	
MQS	962885	0.20-0.50 mm ²	±0.03 mm	114-18025																	
<p>INSULATION CRIMP</p>	<p>Wire crimp without conductor</p> <p>Insulation must be securely held after bend test (one bend cycle)</p>																				

Digital crimp height micrometer (0.001 mm increments) according to DIN ISO 9001 Part number: 547203-1



Incorrect Crimp Quality

<p>Terminal body damaged</p>	<p>F-CRIMP</p>	<p>Crimp legs are not closed</p> <p>Insulation is pierced</p>
<p>Single core crimped on terminal</p>	<p>INSULATION CRIMP OVERLAP CRIMP</p>	<p>Crimp legs do not overlap</p> <p>Insulation is pierced</p>
<p>Terminal twisted</p>	<p>WRAP OVER CRIMP</p>	<p>Insulation is not securely held</p> <p>Insulation is over crimped</p>
<p>Cut off tab too long</p>	<p>Conductor brush protrudes into terminal body</p> <p>Insulation inside the wire crimp</p>	
<p>Crimp barrel distorted</p>	<p>Wire bent</p>	
<p>Terminal bent</p>	<p>Terminal bent</p>	

Correct
Incorrect
Test

At TE Connectivity, we support your RoHS requirements. We've assessed more than 1.5 million end items/components for RoHS compliance, and issued new part numbers where any change was required to eliminate the restricted materials. Part numbers in this catalog are identified as:

RoHS Compliant

Part numbers in this catalog are RoHS Compliant, unless marked otherwise. These products comply with European Union Directive 2002/95/EC as amended 1 January 2006 that restricts the use of lead, mercury, cadmium, hexavalent chromium, PBB, and PBDE in certain electrical and electronic products sold into the EU as of 1 July 2006.

Note: For purposes of this Catalog, included within the definition of RoHS Compliant are products that are clearly "Out of Scope" of the RoHS Directive such as hand tools and other non-electrical accessories.

Non-RoHS Compliant

These part numbers are identified with a "t" symbol. These products do not comply with the material restrictions of the European Union Directive 2002/95/EC.

5 of 6 Compliant

A "l" symbol identifies these part numbers. These products do not fully comply with the European Union Directive 2002/95/EC because they contain lead in solderable interfaces (they do not contain any of the other five restricted substances above allowable limits). However, these products may be suitable for use in RoHS applications where there is an application-based exception for lead in solders, such as the server, storage, or networking infrastructure exemption.

Note: Information regarding RoHS compliance is provided based on reasonable inquiry of our suppliers and represents our current actual knowledge based on the information provided by our suppliers. This information is subject to change. For latest compliance status, refer to our website referenced below. So whatever your questions when it comes to RoHS, we've got the answers at <http://www.TE.com/customer-support/rohssupportcenter/>

Getting the information you need

Our comprehensive on-line RoHS Customer Support Center provides a forum to answer your questions and support your RoHS needs. A RoHS FAQ (Frequently Asked Questions) is available with links to more detailed information. You can also submit RoHS questions and receive a response within 24 hours during a normal work week. The Support Center also provides:

- Cross-Reference from Non-compliant to Compliant Products
- Ability to browse RoHS Compliant Products in our on-line catalog:
www.TE.com/commerce/alt/RohsAltHome.do
- Downloadable Technical Data Customer Information Presentation
- More detailed information regarding the definitions used above

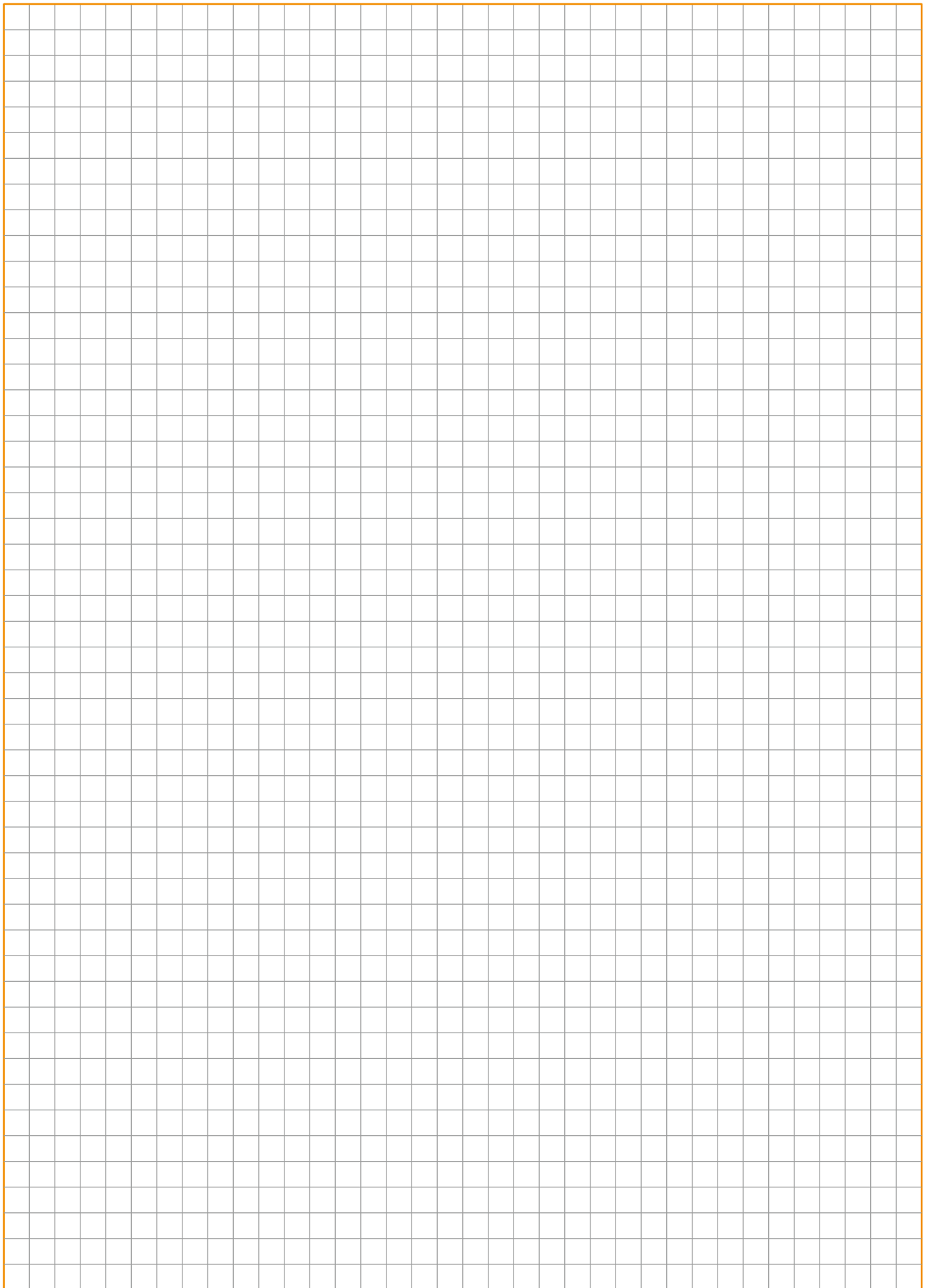
AWG Code	Diameter (Inch)	Diameter (mm)	F (mm ²)
000000	0.5800	14.733	170.0
00000	0.5165	13.13	135.0
0000	0.4600	11.684	103.8
000	0.4096	10.40	79.0
00	0.3648	9.27	67.5
0	0.3249	8.25	53.4
1	0.2893	7.34	42.2
2	0.2576	6.55	33.7
3	0.2294	5.82	26.6
4	0.2043	5.18	21.0
5	0.1819	4.62	16.9
6	0.1620	4.115	13.25
7	0.1443	3.66	10.25
8	0.1285	3.26	8.34
9	0.1144	2.90	6.6
10	0.1019	2.59	5.27
11	0.0907	2.30	4.15
12	0.0808	2.05	3.3
13	0.0720	1.83	2.63
14	0.0641	1.63	2.08
15	0.0571	1.45	1.65
16	0.0508	1.29	1.305
17	0.0453	1.14	1.01
18	0.0403	1.02	0.79
19	0.0359	0.91	0.65
20	0.0320	0.81	0.51
21	0.0285	0.72	0.407
22	0.0253	0.64	0.32
23	0.0226	0.57	0.255
24	0.0201	0.51	0.205
25	0.0179	0.455	0.162
26	0.0159	0.40	0.125
27	0.0142	0.36	0.102
28	0.0126	0.320	0.08
29	0.0113	0.287	0.0646
30	0.0100	0.254	0.0516
31	0.0089	0.226	0.04
32	0.0080	0.203	0.0324
33	0.0071	0.180	0.0255
34	0.0063	0.160	0.02
35	0.0056	0.142	0.0158
36	0.0050	0.127	0.0127
37	0.0045	0.114	0.01
38	0.0040	0.101	0.008
39	0.0035	0.089	0.0062
40	0.0031	0.079	0.0049
41	0.0028	0.071	0.00395
42	0.0025	0.064	0.00321
43	0.0022	0.056	0.00246
44	0.00198	0.050	0.00196
45	0.00176	0.045	
46	0.00157	0.040	
47	0.00140	0.036	
48	0.00124	0.031	
49	0.00110	0.028	
50	0.00099	0.025	

Remark: Starting from 0.03 mm² (AWG 32) a wire can be crimped.

**TH 025
Connector
Series**

	Page	Powertrain Systems	Safety & Security Systems	Convenience	Driver Information	Body & Chassis Systems
Introduction	1					
Contacts	2 - 3					
Receptacle Contacts	2		•	•	•	•
Tab Contacts	3		•	•	•	•
Receptacle Housings	4 - 9					
4 Position (1 row)	4		•	•	•	•
8 Position (2 rows)	5		•	•	•	•
12 Position (2 rows)	6		•	•	•	•
16 Position (2 rows)	7		•	•	•	•
24 Position (2 rows)	8		•	•	•	•
40 Position (2 rows)	9		•	•	•	•
Tab Housings	10 - 14					
4 Position (1 row)	10		•	•	•	•
8 Position (2 rows)	11		•	•	•	•
12 Position (2 rows)	12		•	•	•	•
16 Position (2 rows)	13		•	•	•	•
24 Position (2 rows)	14		•	•	•	•
Headers - Vertical Type	15 - 17					
4 Position	15		•	•	•	•
24 Position	16		•	•	•	•
40 Position	17		•	•	•	•
Headers - Right Angle	18 -25					
8 Position	18		•	•	•	•
4 Position	19		•	•	•	•
8 Position	20		•	•	•	•
12 Position	21		•	•	•	•
16 Position	22		•	•	•	•
24 Position	23		•	•	•	•
32 Position	24		•	•	•	•
40 Position	25		•	•	•	•

TH 025 Connector Series	Page	Powertrain Systems	Safety & Security Systems	Convenience	Driver Information	Body & Chassis Systems
Headers - Vertical	26 - 29					
12 Position	26		•	•	•	•
16 Position	27		•	•	•	•
24 Position	28		•	•	•	•
40 Position	29		•	•	•	•
SMD Headers - Vertical	30 - 33					
8 Position	30		•	•	•	•
16 Position	31		•	•	•	•
24 Position	32		•	•	•	•
40 Position	33		•	•	•	•
Application Tooling	35					
Numerical Index	36 - 37					
Imprint	38					
Global Contacts	39					



POWERTRAIN SYSTEMS



SAFETY & SECURITY SYSTEMS



CONVENIENCE



DRIVER INFORMATION



BODY & CHASSIS SYSTEMS



HIGH DENSITY IN LIMITED SPACES

TH 025 CONNECTOR SERIES INTRODUCTION

Product Features

- TH 025 connectors were designed to provide better connections and performance while securing higher density in limited spaces as required in advanced electronic automotive control systems.
- Another feature is a unique contact design to resist fretting corrosion effectively while employing a lower contact force. As a result, the low insertion force of TH 025 connectors allows a lower connector mating force while offering high density for easy handling.
- This small pitch can help customers to reduce space and weight.
- TH 025 connectors feature a pitch of just 2.2mm, compared to the current standard pitch of 2.54mm.
- TH 025 connector Series have been originally designed in Japan. A European version has been implemented, in order to fulfil the European customer requirements as:
 - Mechanical coding
 - Color coding
 - Reflow leadfree process for headers
- TH European connectors are available in a full range from 4 to 40 positions.

Applications

- Wire-to-Wire, Wire-to-Board and ECU Applications
 - Mirror
 - Multimedia applications
 - Display screens
 - Airbag ECU / Safety applications
 - Switches
 - Hand free cellphone
 - Immobilizer
 - Dashboard
 - Safety applications
 - Electrically controlled trunk lid latch
 - Tyre pressure monitoring system
 - Body controller management

Receptacle Contacts

Technical Features

- One piece contact designed to minimize fretting corrosion
- Terminal lance design to optimize cavity dimension

TH 025 Receptacle Contacts:
 0.635 x 0.635mm

Insertion Force:
 2.2 N max.

Contact Force:
 2.8 N (at an early stage),
 2.0 N (after ageing)

Current Carrying Capacity:
 5 A (to 7 A within some conditions)

Wire Size Range:
 from 0.13 to 0.5mm², specific
 0.75mm² application possible

Contact Finish:
 Tin and gold plating

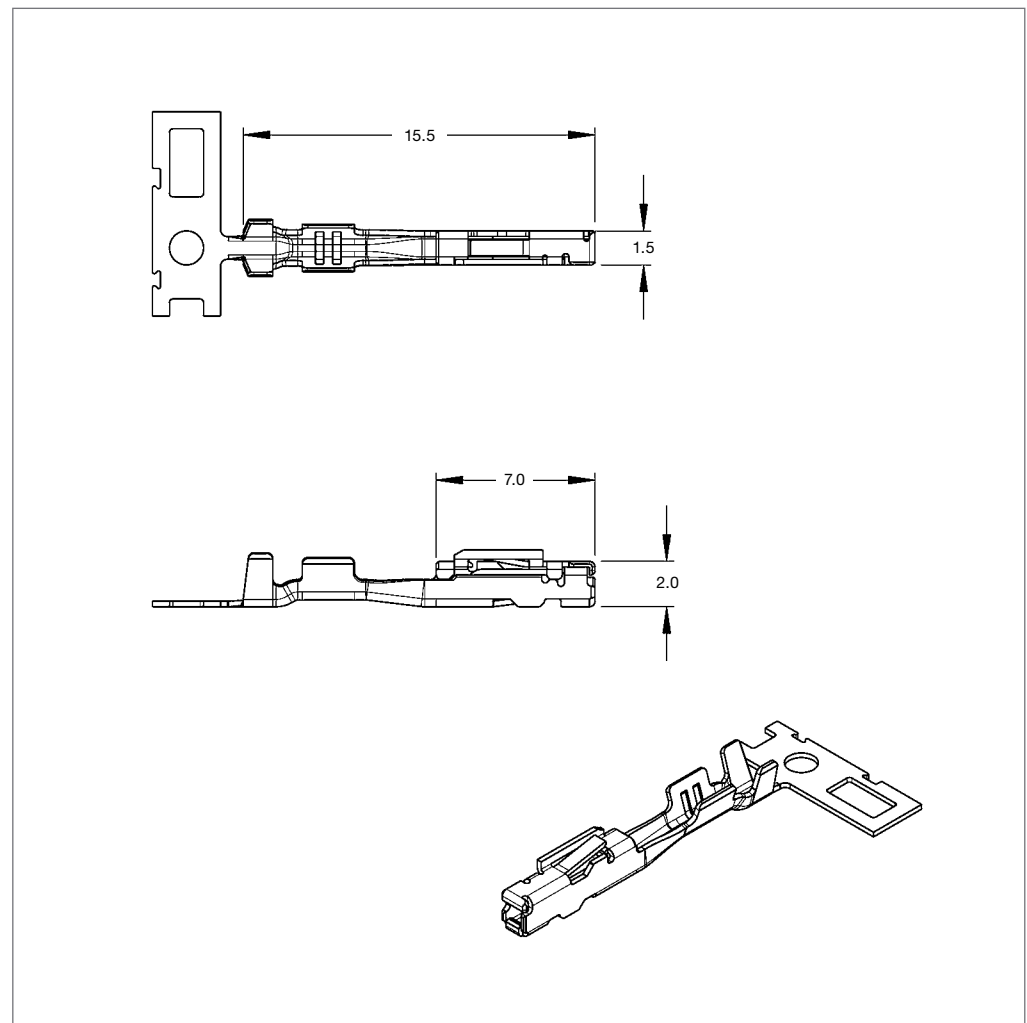
Material:
 Copper Alloy

Temperature Range:
 -40° C up to +105° C

Contact Retention Force:
 100 N (retainer block)

Product Specification
 108-5668 & 108-15299

Application Specification:
 114-5250 & 114-15120
 (for ISO wire)



Receptacle Contacts

Wire Size Range (mm ²)	Insulation Diameter (mm)	Material and Finish	Part Numbers				
			Strip Form	Package Quantity	Applicator	Hand Tool	Extraction Tool
0.13-0.22	0.90-1.05	Copper alloy, pre-tin plated	2005097-1	10,000	x-2151966-x	7-1579014-1	-
0.22-0.50	1.10-1.60	Copper alloy, pre-tin plated	1123343-1	10,000	x-2151494-x	7-1579014-2	1276565-1 ♦
0.22-0.50	1.10-1.60	Gold plated (0.8 μm)	1801069-2	10,000	on request	-	-
0.22-0.50	1.10-1.60	Gold plated (0.38 μm)	1123343-2	10,000	x-2151494-x	7-1579014-2	1276565-1 ♦
0.50-0.75**)	1.30-1.60	Gold plated (0.8 μm)	1801248-2*)	10,000	on request	-	-

*) Recommended for airbag applications (0.5mm²)

***) 0.75mm² – Application depending on wire function

♦) Depending on the assembly of contact and housing

Tab Contacts

Technical Features

- One piece contact designed to minimize fretting corrosion
- Terminal lance design to optimize cavity dimension

TH 025 Tab Contacts:
0.635 x 0.635mm Pin

Insertion Force:
2.2 N max.

Contact Force:
2.8 N (at an early stage),
2.0 N (after ageing)

Current Carrying Capacity:
5 A (to 7 A within some conditions)

Wire Size Range:
from 0.13 to 0.5mm²

Contact Finish:
Tin plating

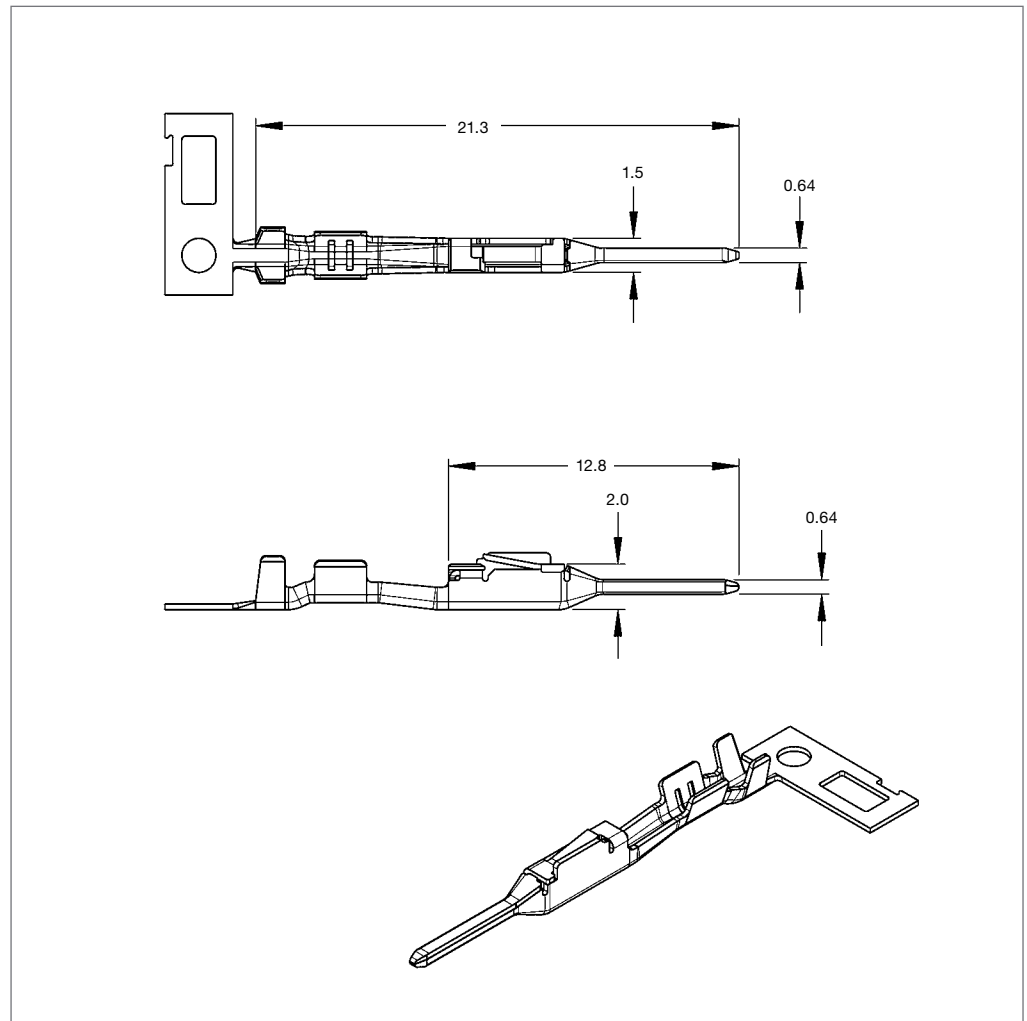
Material:
Brass

Temperature Range:
-40° C up to +105° C

Contact Retention Force:
100 N (retainer block)

Product Specification:
108-5668 & 108-15299

Application Specification:
114-5302 & 114-15120
(for ISO wire)



Tab Contacts

Wire Size Range (mm ²)	Insulation Diameter (mm)	Material and Finish	Part Numbers				
			Strip Form	Package Quantity	Applicator	Hand Tool	Extraction Tool
0.13-0.22	0.90-1.05	Brass, tin plated	2005098-1	10,000	x-2151966-x	7-1579014-1	-
0.22-0.50	1.10-1.60	Brass, tin plated	1674742-1	10,000	x-2151216-x	7-1579014-3	1579007-8 ♦

♦) Depending on the assembly of contact and housing

4 Position (1 Row) Receptacle Housings

Technical Features

- Compact design with 2.2mm pitch

Temperature Range:
 -40° C up to +105° C

Secondary Lock:
 Hinged Lid

Dielectric Strength:
 1000 V AC / 1 min.

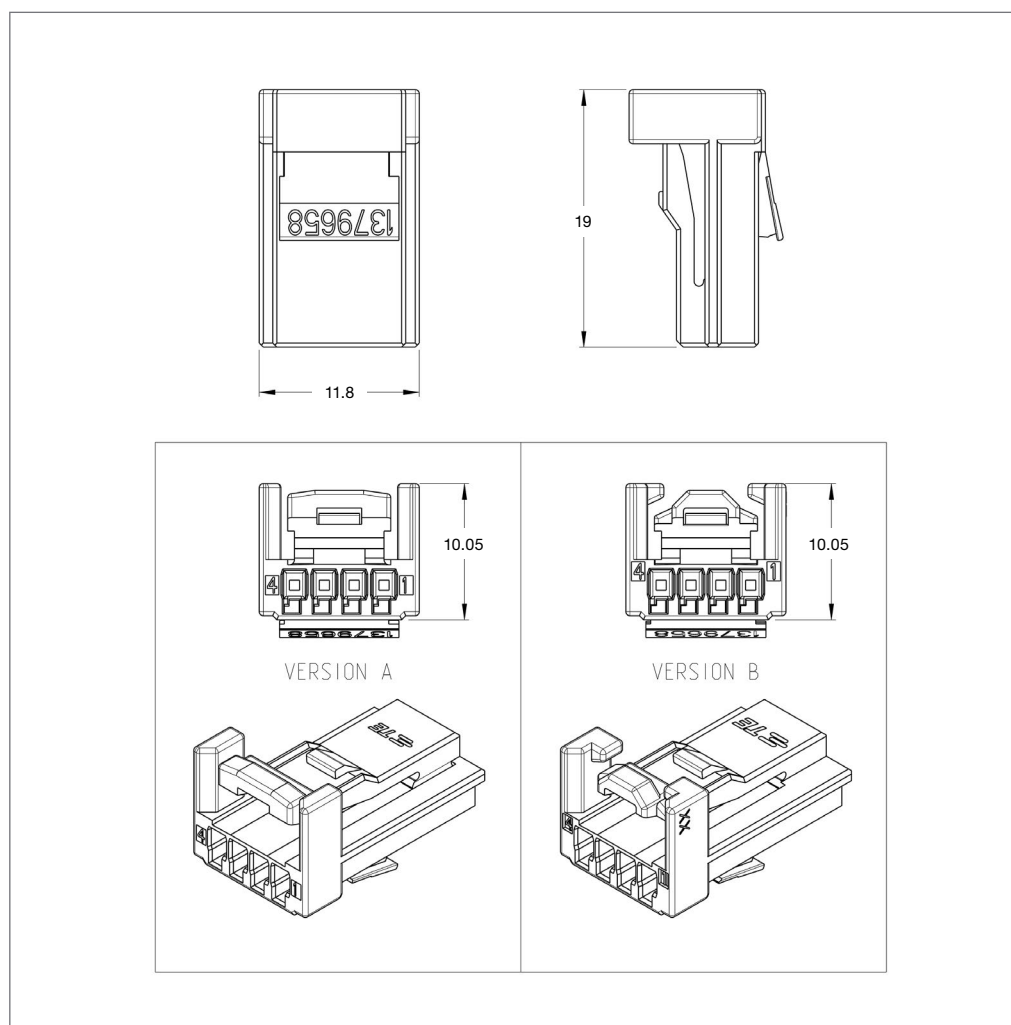
Insulation Resistance:
 >100 MΩ

Housing Material:
 PBT

Connector Mating Force:
 Max. 60 N

Product Specification:
 108-15299

Application Specification:
 411-15672



4 Position (1 Row) Receptacle Housings **)

No. of Positions	Housing Material	Keying Options	Housing Color	Part Numbers		
				Receptacle Housing	Package Quantity	Mating Tab Housing
4 (1 row)	PBT	1	Black	1379658-1*	900	1379674-1
		2	Gray	1379658-2	900	1379674-2
		3	Blue	1379658-3*	900	1379674-3*
		4	Green	1379658-4*	900	1379674-4*
		Neutral	Natural	1-1379658-1	900	1-1379674-1

*) Contact your local TE Connectivity Sales Office for availability

**) An alternative design will be available for some items from 2015

8 Position (2 Rows) Receptacle Housings

Technical Features

- Compact design with 2.2mm pitch
- Two Parts (Housing + Retainer Block) = 1 Piece

Temperature Range:
-40°C up to +105°C

Secondary Lock:
Housing Retainer Block

Dielectric Strength:
1000 V AC / 1 min.

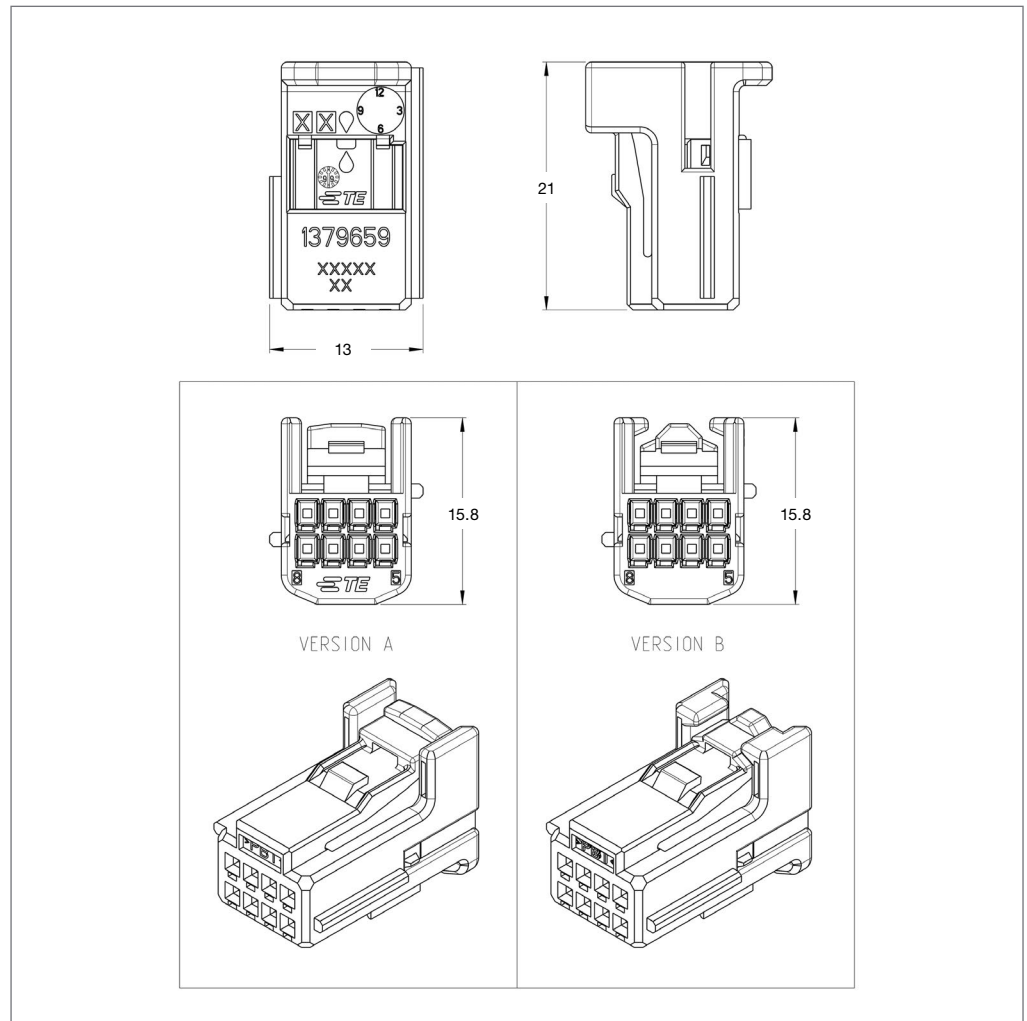
Insulation Resistance:
>100 MΩ

Housing Material:
PBT

Connector Mating Force:
Max. 60 N

Product Specification:
108-15299

Application Specification:
411-15672



8 Position (2 Rows) Receptacle Housings **)

No. of Positions	Housing Material	Keying Options	Housing Color	Part Numbers		
				Receptacle Housing	Package Quantity	Mating Tab Housing
8 (2 rows)	PBT	1	Black	1379659-1*	1,100	-
		2	Gray	1379659-2	1,100	-
		3	Blue	1379659-3*	1,100	-
		4	Green	1379659-4*	1,100	-
		Neutral	Natural	1379659-5*	1,100	1565804-2●)

●) Japanese version

*) Contact your local TE Connectivity Sales Office for availability

***) An alternative design will be available for some items from 2015

12 Position (2 Rows) Receptacle Housing

Technical Features

- Compact design with 2.2mm pitch
- Two Parts (Housing + Retainer Block) = 1 Piece

Temperature Range:
 -40° C up to +105° C

Secondary Lock:
 Housing Retainer Block

Dielectric Strength:
 1000 V AC / 1 min.

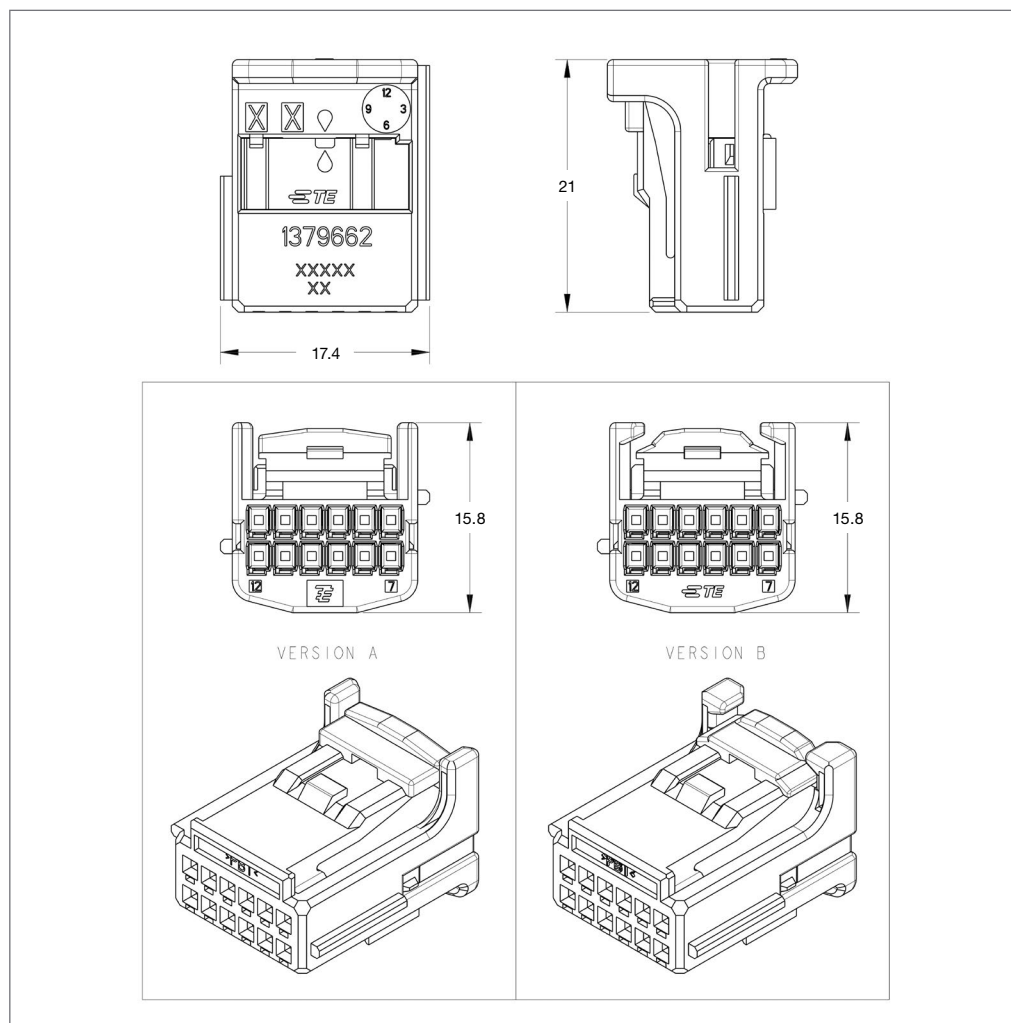
Insulation Resistance:
 >100 MΩ

Housing Material:
 PBT

Connector Mating Force:
 Max. 60 N

Product Specification:
 108-15299

Application Specification:
 411-15672



12 Position (2 Rows) Receptacle Housings **)

No. of Positions	Housing Material	Keying Options	Housing Color	Part Numbers		
				Receptacle Housing	Package Quantity	Mating Tab Housing
12 (2 rows)	PBT	1	Black	1379662-1	800	1379675-1
		2	Gray	1379662-2	800	1379675-2
		3	Blue	1379662-3*	800	1379675-3*
		4	Green	1379662-4*	800	1379675-4*
		Neutral	Natural	1379662-5	800	1379675-5

*) Contact your local TE Connectivity Sales Office for availability
 **) An alternative design will be available for some items from 2015

16 Position (2 Rows) Receptacle Housing

Technical Features

- Compact design with 2.2mm pitch
- Two Parts (Housing + Retainer Block) = 1 Piece

Temperature Range:
-40°C up to +105°C

Secondary Lock:
Housing Retainer Block

Dielectric Strength:
1000 V AC / 1 min.

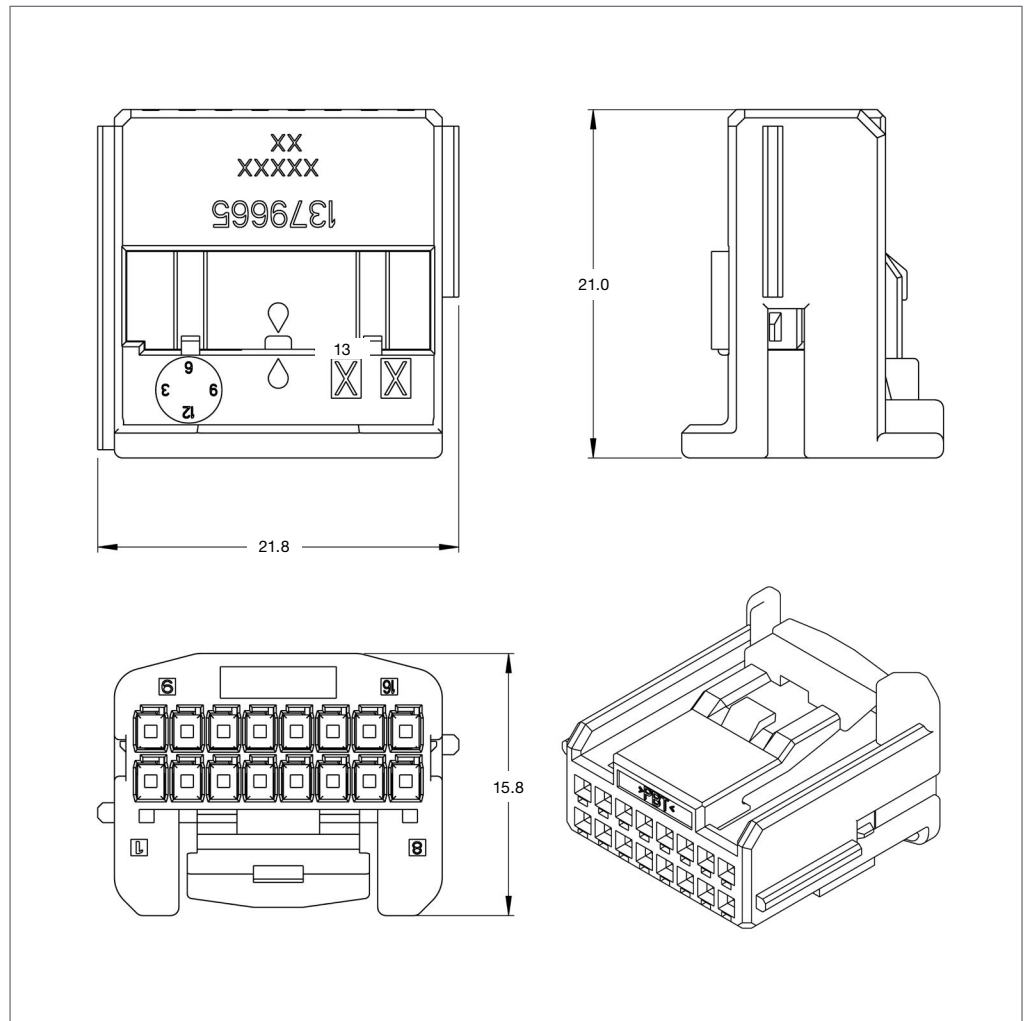
Insulation Resistance:
>100 MΩ

Housing Material:
PBT

Connector Mating Force:
Max. 60 N

Product Specification:
108-15299

Application Specification:
411-15672



16 Position (2 Rows) Receptacle Housings **)

No. of Positions	Housing Material	Keying Options	Housing Color	Part Numbers		
				Receptacle Housing	Package Quantity	Mating Tab Housing
16 (2 rows)	PBT	1	Black	1379665-1	700	1379678-1
		2	Gray	1379665-2	700	1379678-2
		3	Blue	1379665-3	700	1379678-3*
		4	Green	1379665-4	700	1379678-4*
		Neutral	Natural	1379665-5	700	1379678-5

*) Contact your local TE Connectivity Sales Office for availability

24 Position (2 Rows) Receptacle Housing

Technical Features

- Compact design with 2.2mm pitch
- Two Parts (Housing + Retainer Block) = 1 Piece

Temperature Range:
 -40° C up to +105° C

Secondary Lock:
 Housing Retainer Block

Dielectric Strength:
 1000 V AC / 1 min.

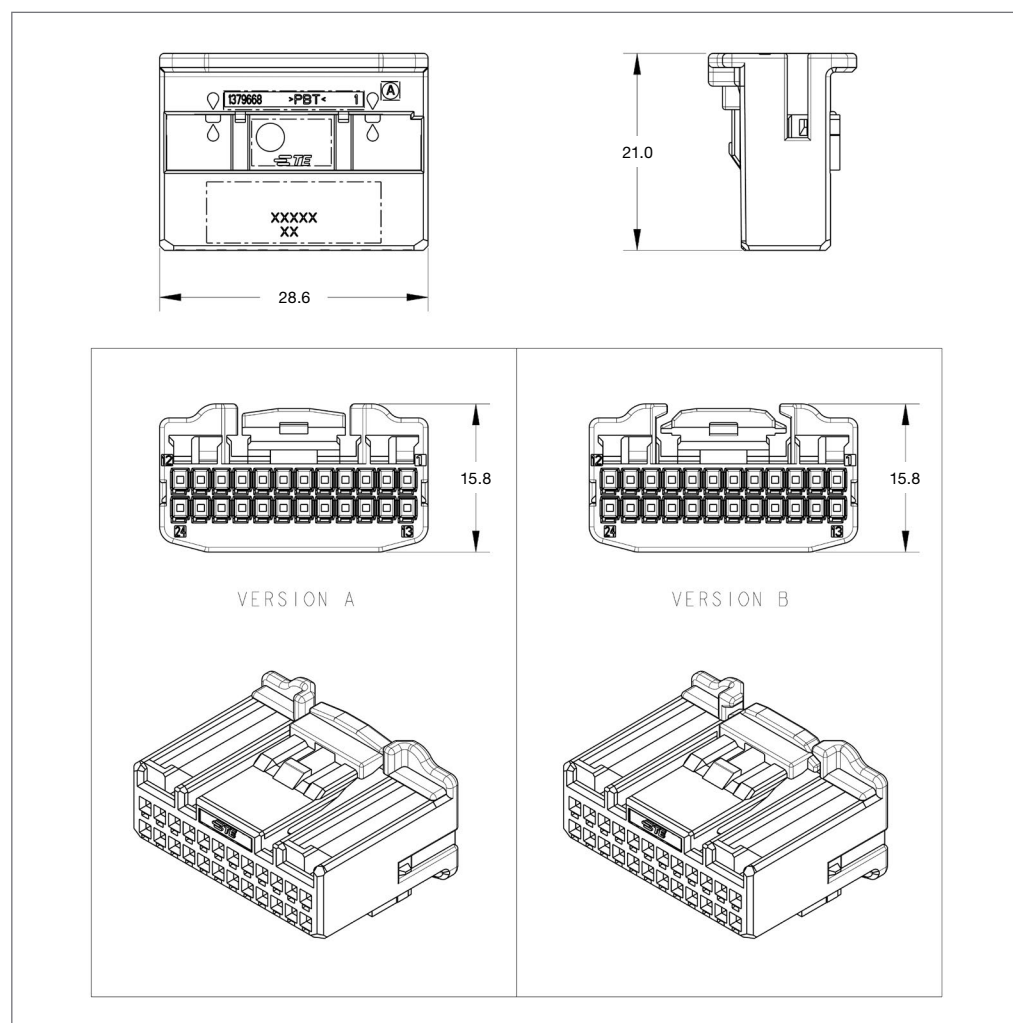
Insulation Resistance:
 >100 MΩ

Housing Material:
 PBT

Connector Mating Force:
 Max. 60 N

Product Specification:
 108-15299

Application Specification:
 411-15672



24 Position (2 Rows) Receptacle Housings **)

No. of Positions	Housing Material	Keying Options	Housing Color	Part Numbers		
				Receptacle Housing	Package Quantity	Mating Tab Housing
24 (2 rows)	PBT	1	Black	1379668-1	500	1379681-1
		2	Gray	1379668-2	500	1379681-2
		3	Blue	1379668-3*	500	1379681-3*
		4	Green	1379668-4*	500	1379681-4*
		Neutral	Natural	1379668-5	500	1379681-5

*) Contact your local TE Connectivity Sales Office for availability

**) An alternative design will be available for some items from 2015

40 Position (2 Rows) Receptacle Housing

Technical Features

- Compact design with 2.2mm pitch
- Two Parts (Housing + Retainer Block) = 1 Piece

Temperature Range:
-40° C up to +105° C

Secondary Lock:
Housing Retainer Block

Dielectric Strength:
1000 V AC / 1 min.

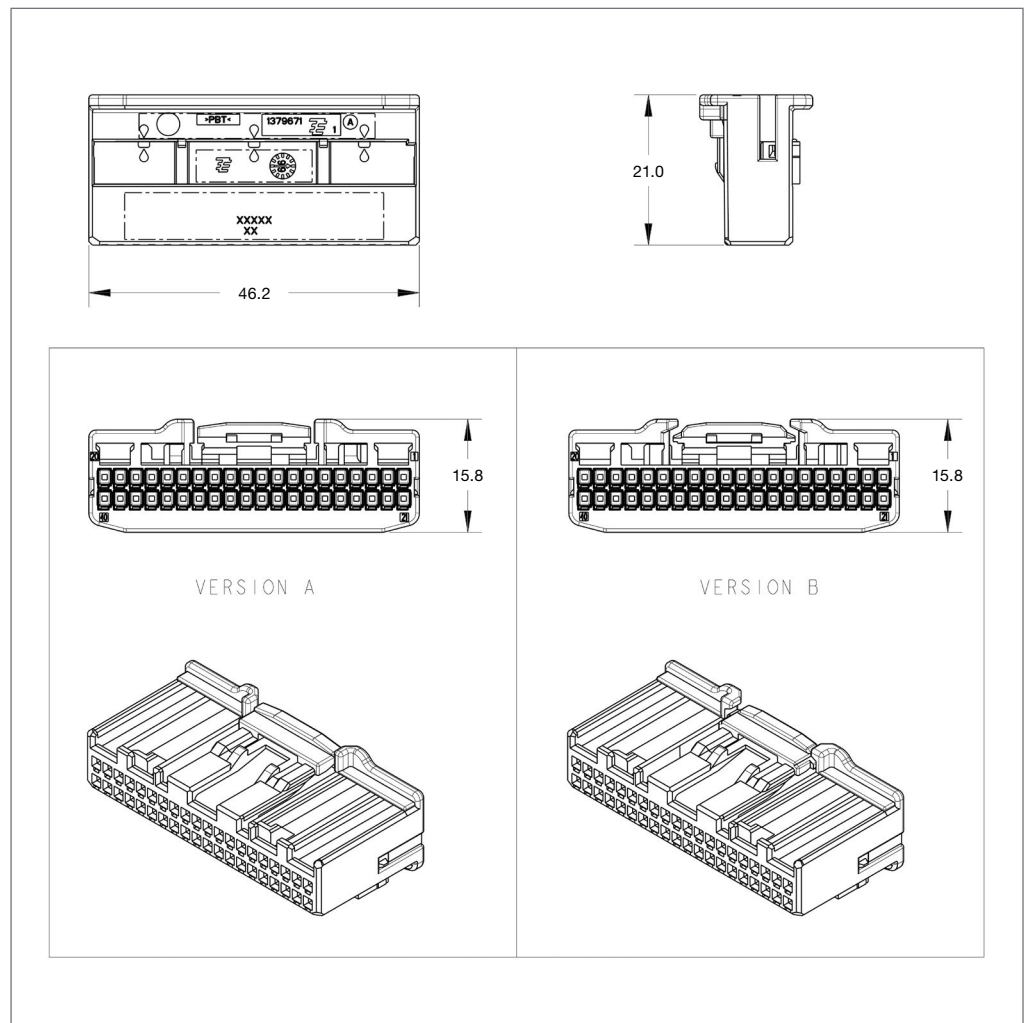
Insulation Resistance:
>100 MΩ

Housing Material:
PBT

Connector Mating Force:
Max. 100 N

Product Specification:
108-15299

Application Specification:
411-15672



40 Position (2 Rows) Receptacle Housings **)

No. of Positions	Housing Material	Keying Options	Housing Color	Part Numbers		
				Receptacle Housing	Package Quantity	Mating Tab Housing
40 (2 rows)	PBT	1	Black	1379671-1	400	-
		2	Gray	1379671-2	400	-
		3	Blue	1379671-3	400	-
		4	Green	1379671-4	400	-
		Neutral	Natural	1379671-5	400	-

**) An alternative design will be available for some items from 2015

4 Position (1 Row) Tab Housings

Technical Features

- Compact design with 2.2mm pitch

Temperature Range:
-40° C up to +105° C

Secondary Lock:
Hinged Lid

Dielectric Strength:
1000 V AC / 1 min.

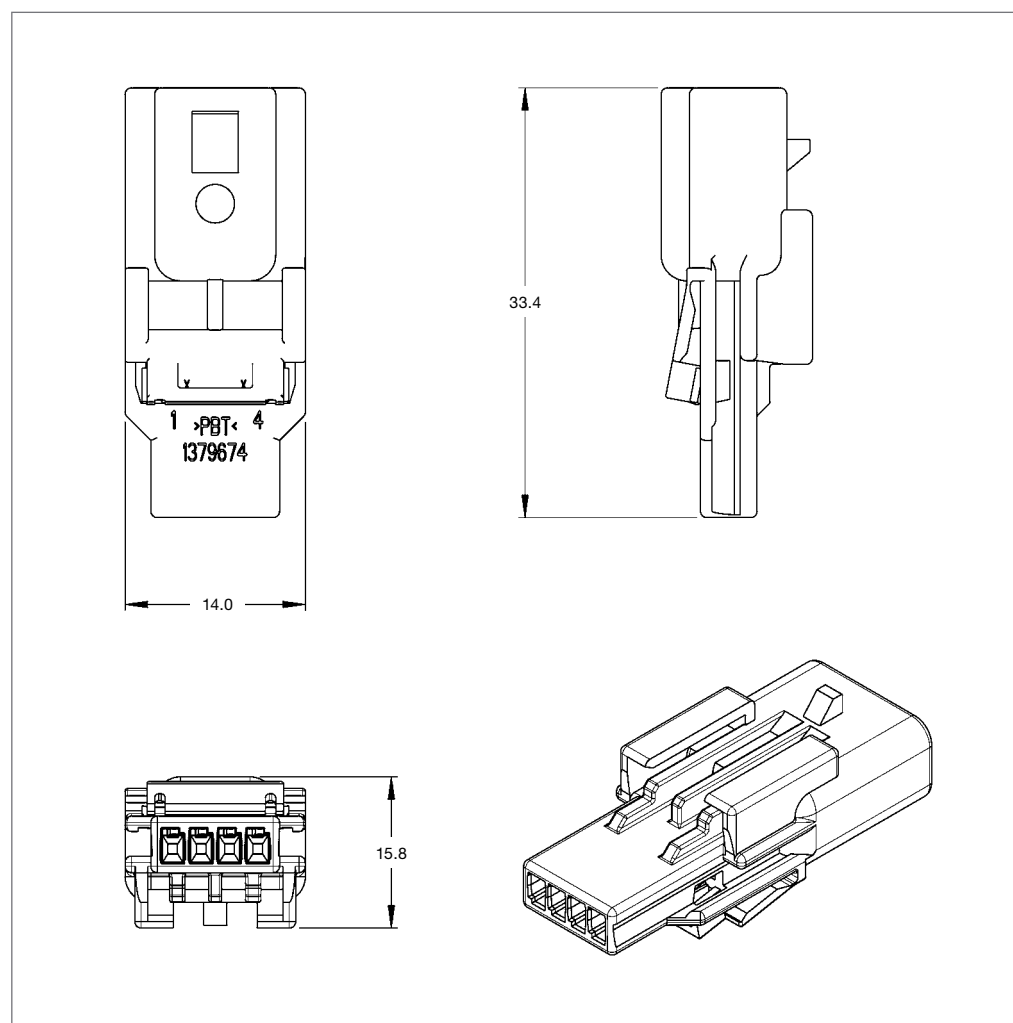
Insulation Resistance:
>100 MΩ

Housing Material:
PBT

Connector Mating Force:
Max. 60 N

Product Specification:
108-15299

Application Specification:
411-15672



4 Position (1 Row) Tab Housings

No. of Positions	Housing Material	Keying Options	Housing Color	Part Numbers		
				Tab Housing	Package Quantity	Mating Receptacle Housing
4 (1 row)	PBT	1	Black	1379674-1	800	1379658-1
		2	Gray	1379674-2	800	1379658-2
		3	Blue	1379674-3*	800	1379658-3*
		4	Green	1379674-4*	800	1379658-4*
		Neutral	Natural	1-1379674-1	800	1-1379658-1

*) Contact your local TE Connectivity Sales Office for availability

8 Position (2 Row) Tab Housings

Technical Features

- 2.2mm pitch
(Japanese Version)
- Two Parts
(Housing + Retainer Block)
= 1 Piece

Temperature Range:
-40°C up to +105°C

Secondary Lock:
Housing Retainer Block

Dielectric Strength:
1000 V AC / 1 min.

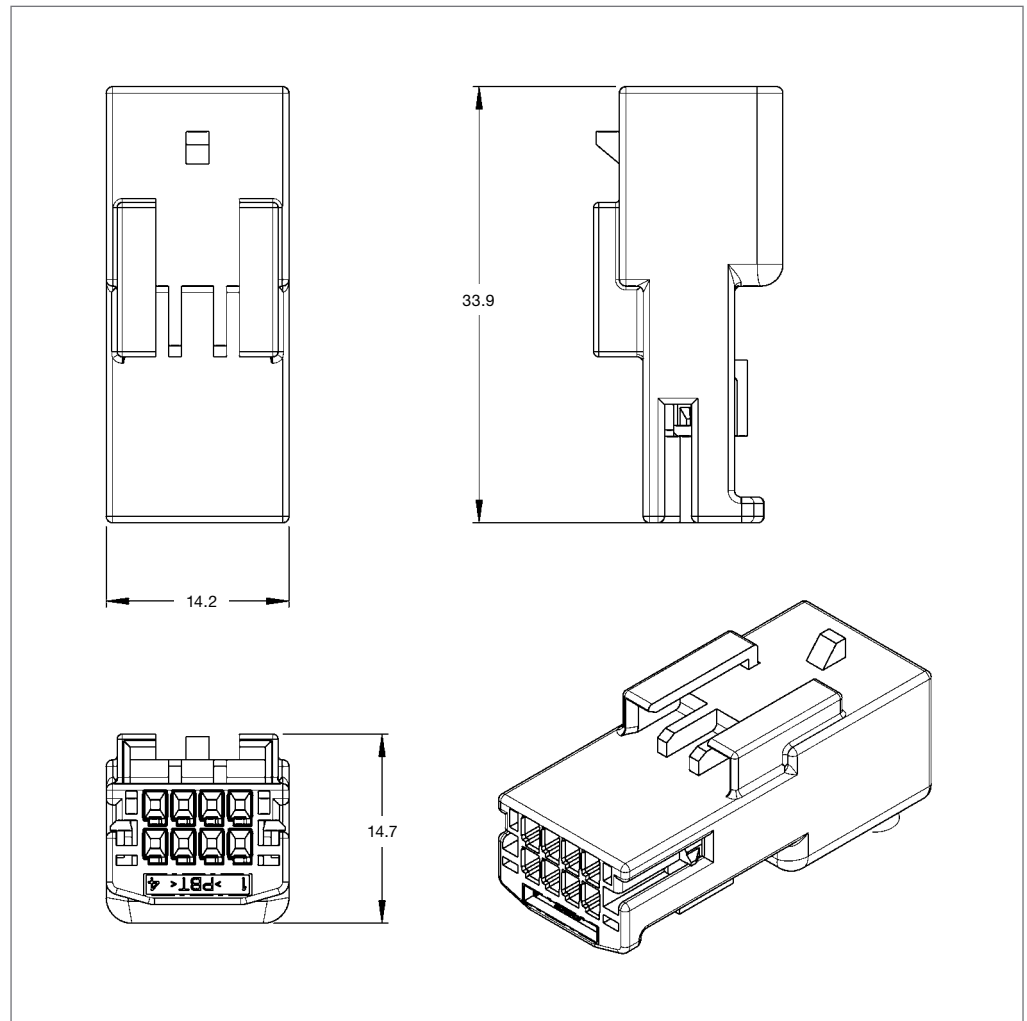
Insulation Resistance:
>100 MΩ

Housing Material:
PBT

Connector Mating Force:
Max. 60 N

Product Specification:
108-5787

Application Specification:
411-78011



8 Position (2 Rows) Tab Housings

No. of Positions	Housing Material	Keying Options	Housing Color	Part Numbers		
				Tab Housing	Package Quantity	Mating Receptacle Housing
8 (2 rows)	PBT	Neutral	Natural	1565804-2	200	1379659-5

12 Position (2 Rows) Tab Housings

Technical Features

- Compact design with 2.2mm pitch
- Two Parts (Housing + Retainer Block) = 1 Piece

Temperature Range:
-40°C up to +105°C

Secondary Lock:
Housing Retainer Block

Dielectric Strength:
1000 V AC / 1 min.

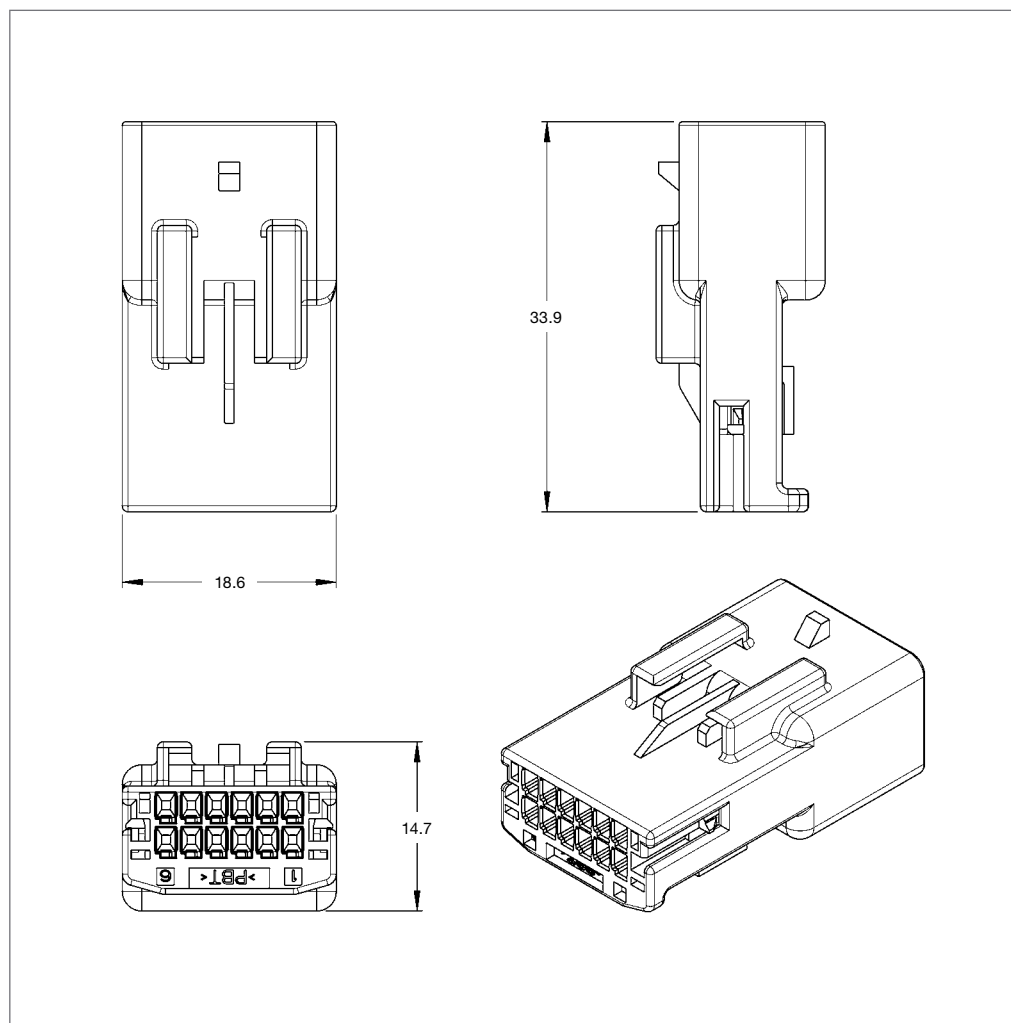
Insulation Resistance:
>100 MΩ

Housing Material:
PBT

Connector Mating Force:
Max. 60 N

Product Specification:
108-15299

Application Specification:
411-15672



12 Position (2 Rows) Tab Housings

No. of Positions	Housing Material	Keying Options	Housing Color	Part Numbers		
				Tab Housing	Package Quantity	Mating Receptacle Housing
12 (2 rows)	PBT	1	Black	1379675-1	500	1379662-1
		2	Gray	1379675-2	500	1379662-2
		3	Blue	1379675-3*	500	1379662-3*
		4	Green	1379675-4*	500	1379662-4*
		Neutral	Natural	1379675-5	500	1379662-5

*) Contact your local TE Connectivity Sales Office for availability

16 Position (2 Rows) Tab Housings

Technical Features

- Compact design with 2.2mm pitch
- Two Parts (Housing + Retainer Block) = 1 Piece

Temperature Range:
-40°C up to +105°C

Secondary Lock:
Housing Retainer Block

Dielectric Strength:
1000 V AC / 1 min.

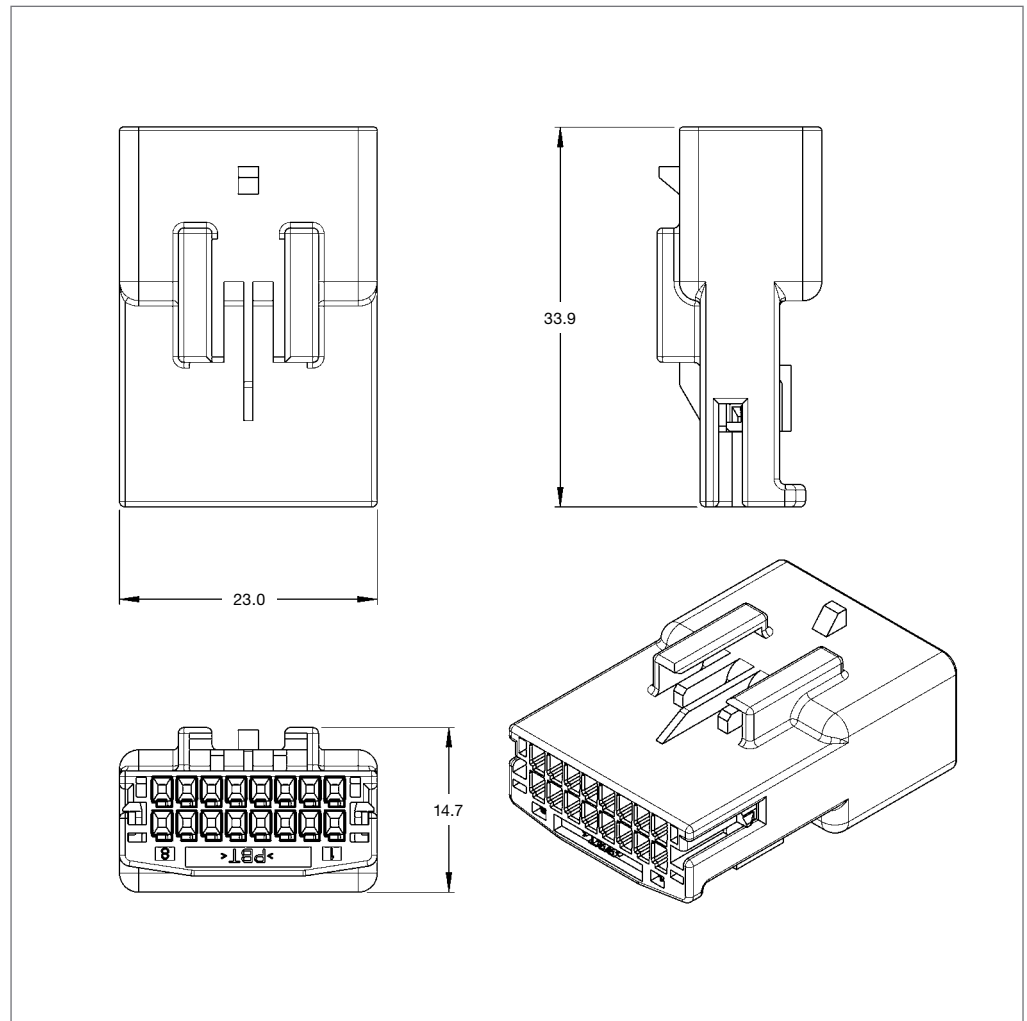
Insulation Resistance:
>100 MΩ

Housing Material:
PBT

Connector Mating Force:
Max. 60 N

Product Specification:
108-15299

Application Specification:
411-15672



16 Position (2 Rows) Tab Housings

No. of Positions	Housing Material	Keying Options	Housing Color	Part Numbers		
				Tab Housing	Package Quantity	Mating Receptacle Housing
16 (2 rows)	PBT	1	Black	1379678-1	400	1379665-1
		2	Gray	1379678-2	400	1379665-2
		3	Blue	1379678-3*	400	1379665-3*
		4	Green	1379678-4*	400	1379665-4*
		Neutral	Natural	1379678-5	400	1379665-5

*) Contact your local TE Connectivity Sales Office for availability

24 Position (2 Rows) Tab Housings

Technical Features

- Compact design with 2.2mm pitch
- Two Parts (Housing + Retainer Block) = 1 Piece

Temperature Range:
-40° C up to +105° C

Secondary Lock:
Housing Retainer Block

Dielectric Strength:
1000 V AC / 1 min.

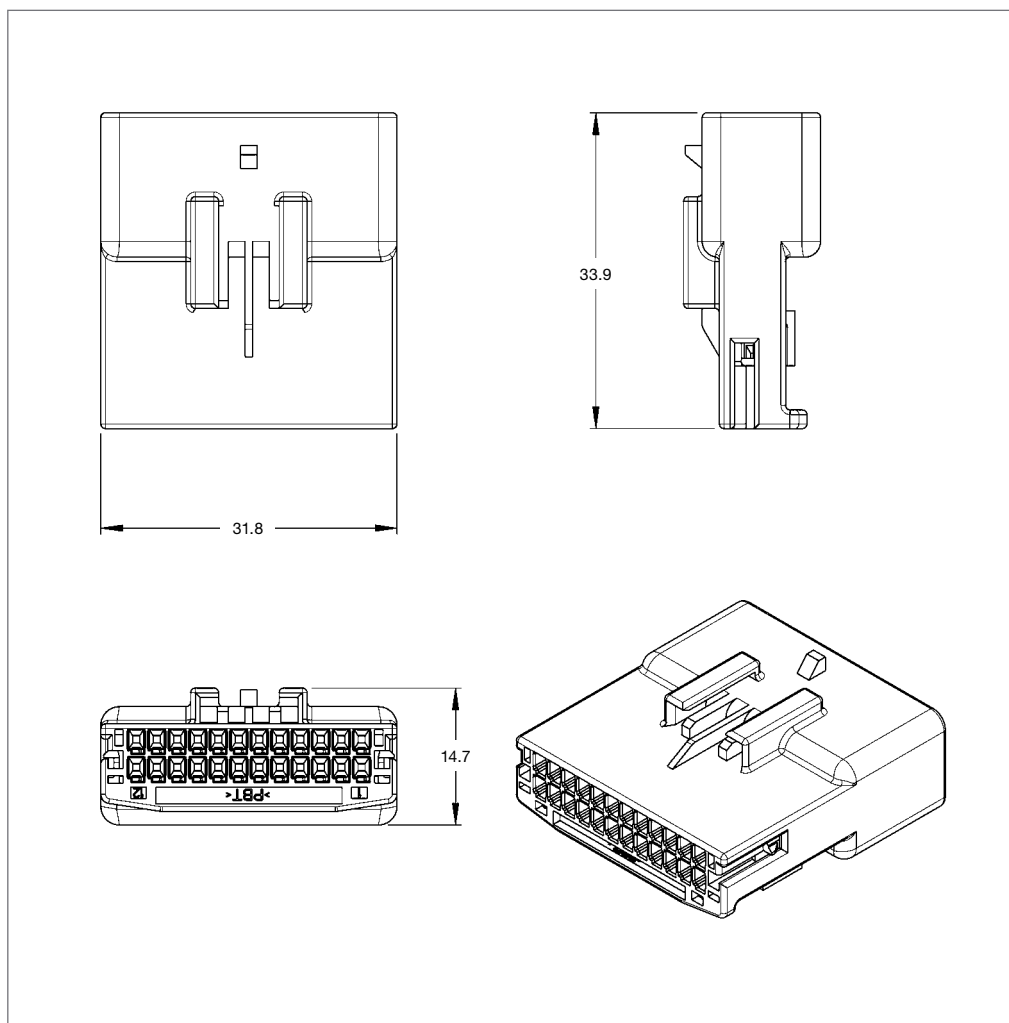
Insulation Resistance:
>100 MΩ

Housing Material:
PBT

Connector Mating Force:
Max. 60 N

Product Specification:
108-15299

Application Specification:
411-15672



24 Position (2 Rows) Tab Housings

No. of Positions	Housing Material	Keying Options	Housing Color	Part Numbers		
				Tab Housing	Package Quantity	Mating Receptacle Housing
24 (2 rows)	PBT	1	Black	1379681-1	300	1379668-1
		2	Gray	1379681-2	300	1379668-2
		3	Blue	1379681-3*	300	1379668-3*
		4	Green	1379681-4*	300	1379668-4*
		Neutral	Natural	1379681-5	300	1379668-5

*) Contact your local TE Connectivity Sales Office for availability

4 Position Vertical Header

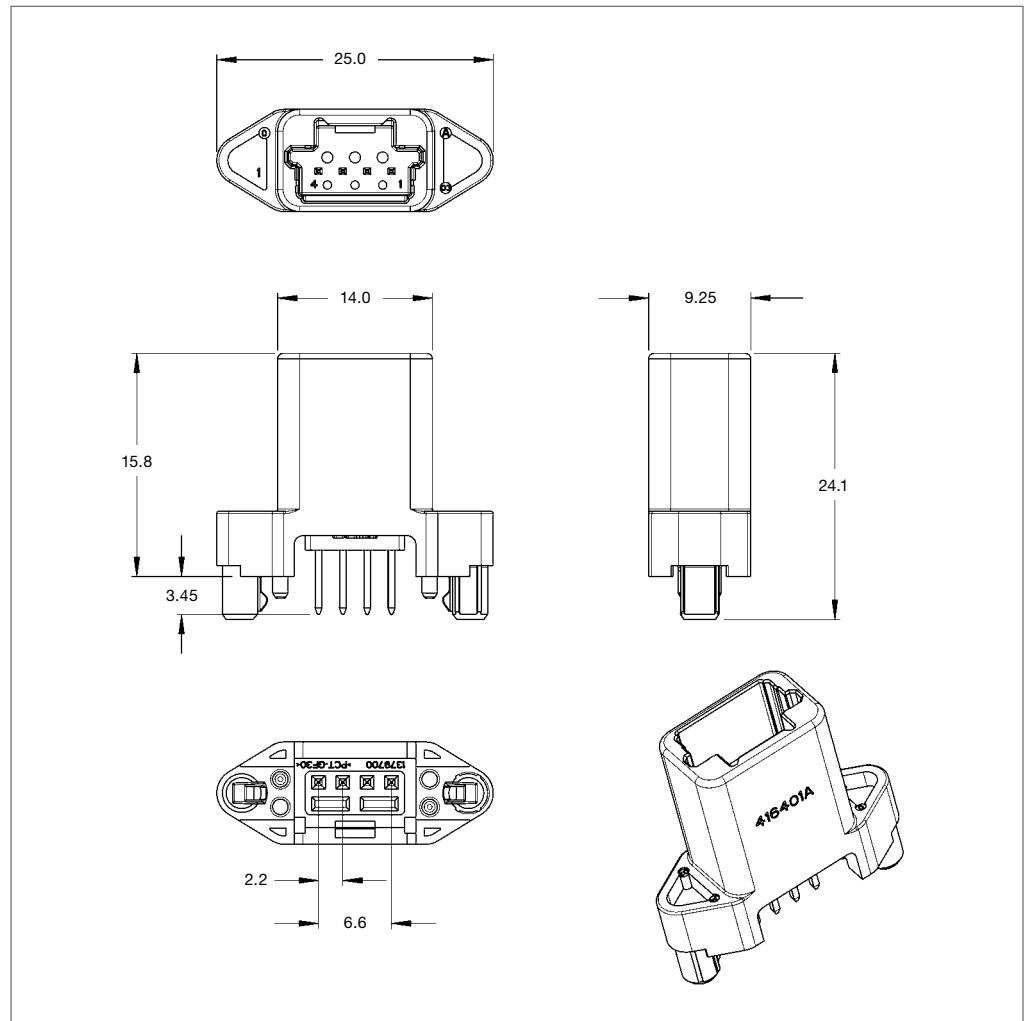
Technical Features

- Compact design with 2.2mm pitch
- Designed for Reflow Leadfree Process
- Board Locks
- Locating Pin (PCB Mechanical Coding)

Housing Material:
PCT

Pin Material:
Copper Alloy

Product Specification:
108-15326



4 Position Vertical Header

No. of Positions	Housing Material	Keying Options	Housing Color	Part Numbers			
				Header	Package Quantity	Packaging	Mating Receptacle Housing
4	PCT	1	Black	1379700-1	1,400	Tray	1379658-1
		2	Gray	1379700-2	1,400	Tray	1379658-2

24 Position Vertical Header

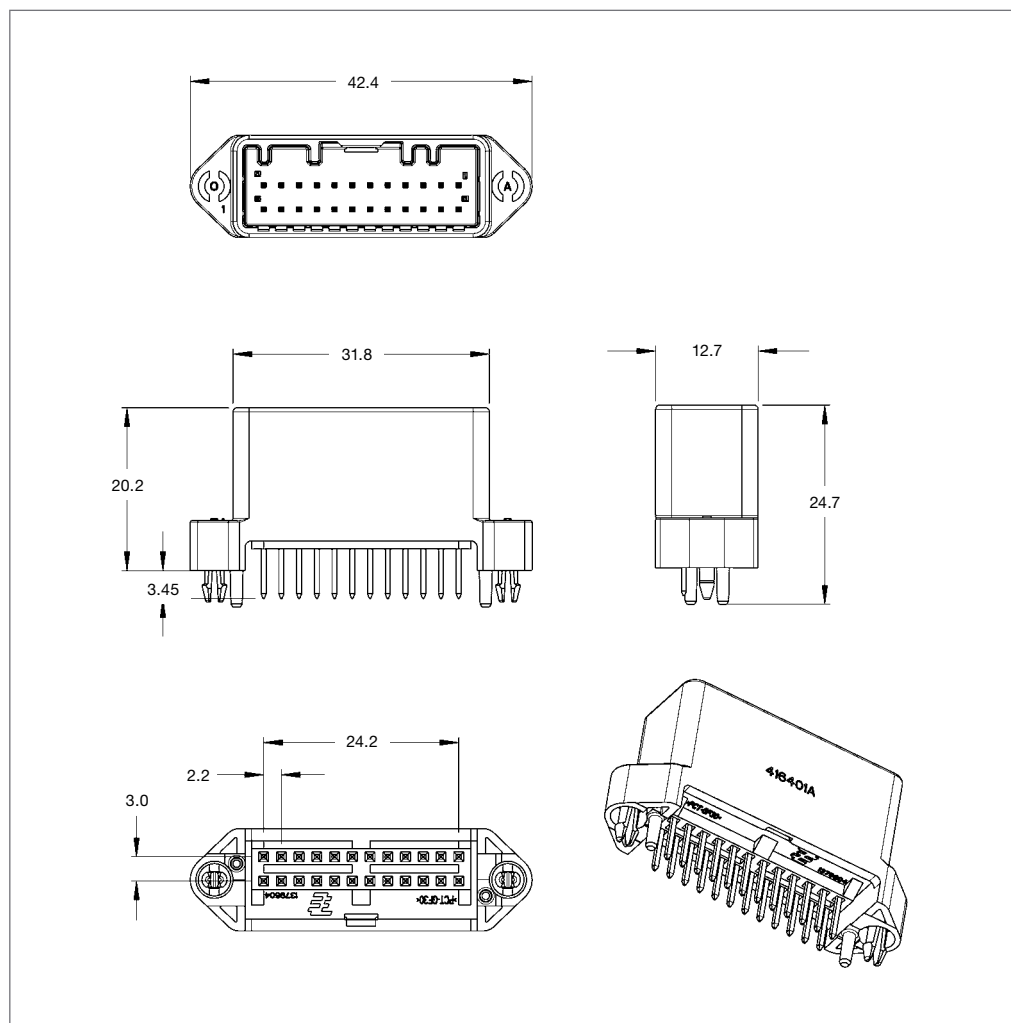
Technical Features

- Compact design with 2.2mm pitch
- Designed for Reflow Leadfree Process
- Board Locks
- Locating Pin (PCB Mechanical Coding)

Housing Material:
 PCT

Pin Material:
 Copper Alloy

Product Specification:
 108-15422



24 Position Vertical Header

No. of Positions	Housing Material	Keying Options	Housing Color	Part Numbers			
				Header	Package Quantity	Packaging	Mating Receptacle Housing
24	PCT	1	Black	1379604-1	650	Tray	1379668-1
		2	Gray	1379604-2	650	Tray	1379668-2

40 Position Vertical Header

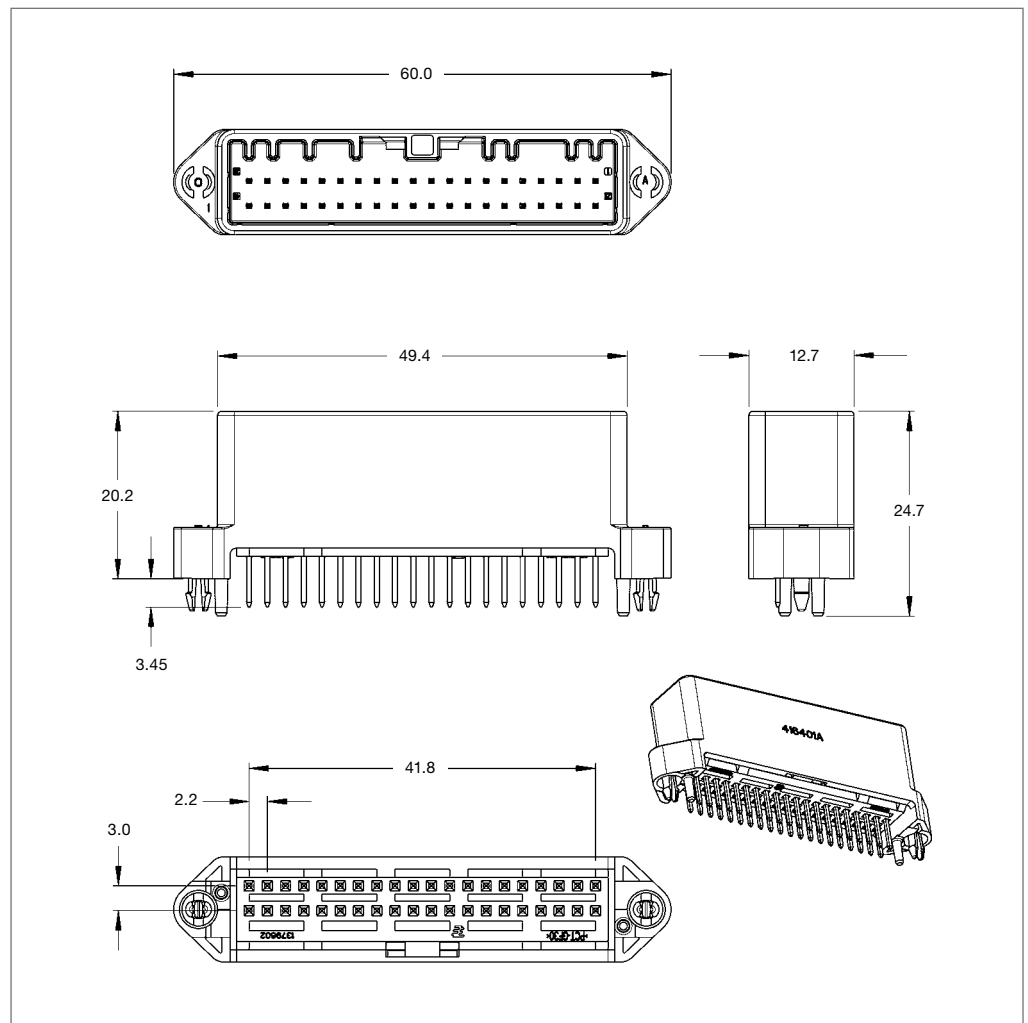
Technical Features

- Compact design with 2.2mm pitch
- Designed for Reflow Leadfree Process
- Board Locks
- Locating Pin (PCB Mechanical Coding)

Housing Material:
PCT

Pin Material:
Copper Alloy

Product Specification:
108-15422



40 Position Vertical Header

No. of Positions	Housing Material	Keying Options	Housing Color	Part Numbers			
				Header	Package Quantity	Packaging	Mating Receptacle Housing
40	PCT	1	Black	1-1379602-1	390	Tray	1379671-1
		2	Gray	1-1379602-2	390	Tray	1379671-2
		4	Green	1-1379602-4	390	Tray	1379671-4

Other designs available on request

8 Position Right-Angle Header

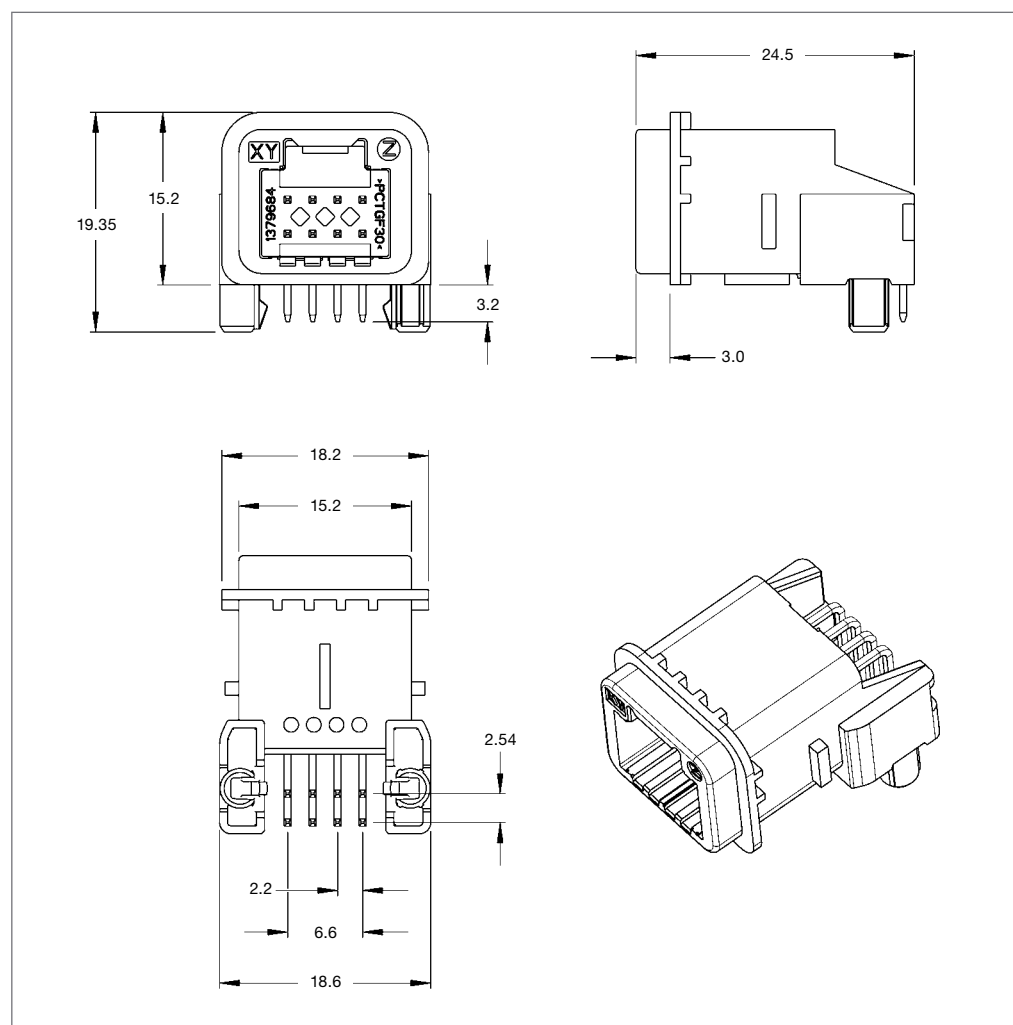
Technical Features

- Compact design with 2.2mm pitch
- Designed for Reflow Leadfree Process
- Board Locks
- Locating Pin (PCB Mechanical Coding)

Housing Material:
 PCT

Pin Material:
 Copper Alloy

Product Specification:
 108-15383



8 Position Right-Angle Header

No. of Positions	Housing Material	Keying Options	Housing Color	Part Numbers			
				Header	Package Quantity	Packaging	Mating Receptacle Housing
8	PCT	1	Black	1379684-1	1,210	Tray	1379659-1
		2	Gray	1379684-2	1,100	Special Tray	1379659-2
		3	Blue	1379684-3	1,100	Special Tray	1379659-3
		1	Black	1379684-4	1,600	Tubes	1379659-1
		2	Gray	1379684-5	1,600	Tubes	1379659-2
		3	Blue	1379684-6	1,600	Tubes	1379659-3
		3	Blue	1379684-7	1,210	Tray	1379659-3
		1	Black	1-1379684-1	1,100	Special Tray	1379659-1

4 Position Right-Angle Header

Technical Features

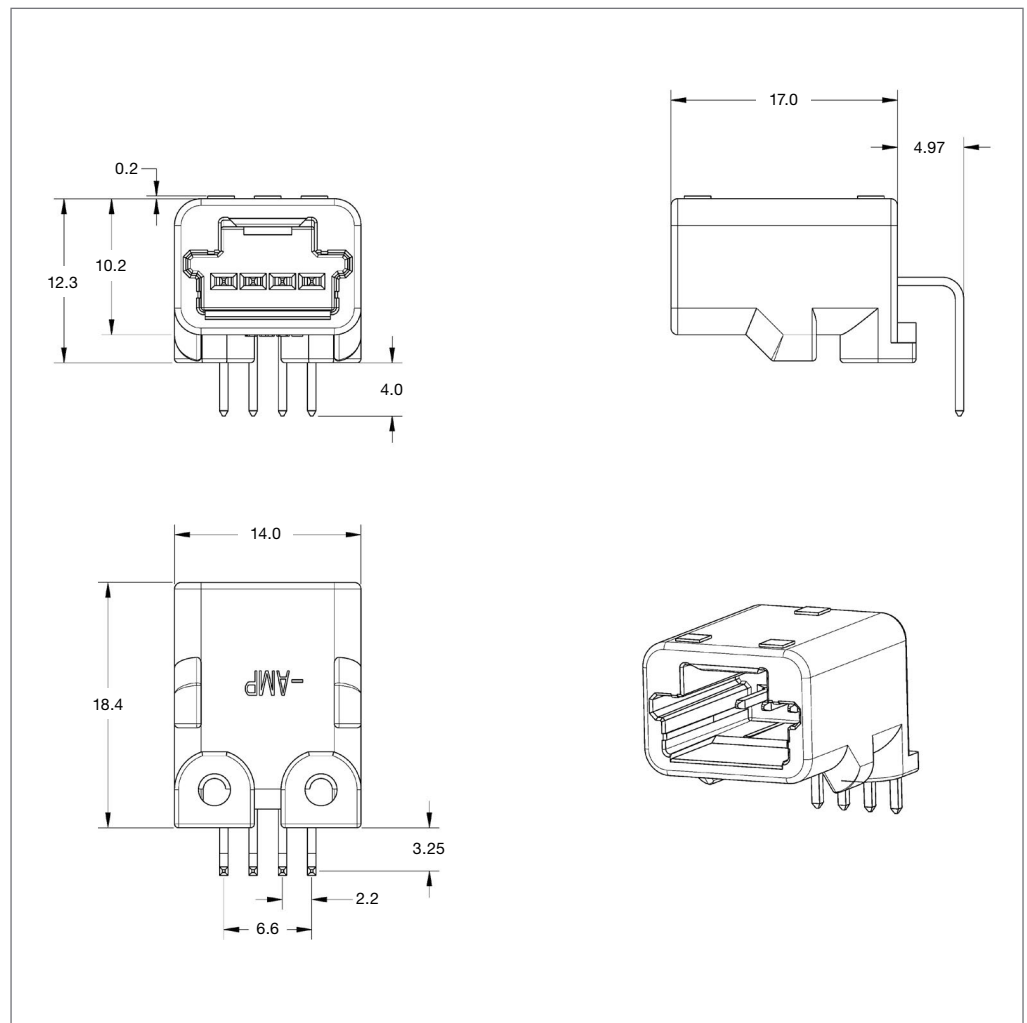
- Compact design with 2.2mm pitch
- Board fixation screw

Housing Material:
See table

Pin Material:
Brass

Product Specification:
108-5664

Application Specification:
114-5250



4 Position Right-Angle Header

No. of Positions	Housing Material	Keying Options	Housing Color	Part Numbers				
				Header	Package Quantity	Packaging	Mating Receptacle Housing for use in EMEA	Mating Receptacle Housing for use in Asia
4	PBT	1	Natural	1565749-1	–	Tube	1379658-1	1473672-1
	PBT	2	Gray	1565749-3	–	Tube	1379658-2	1473672-2
	SPS	2	Gray	1565749-4	–	Tube	1379658-2	1473672-2
	SPS	2	Gray	1565749-5	–	Tube	1379658-2	1473672-2
	PBT	1	Natural	1565749-6	–	Tube	1379658-1	1473672-1
	SPS	1	Natural	1565749-7	–	Tube	1379658-1	1473672-1
	SPS	2	Gray	1565749-8	–	Tube	1379658-2	1473672-2
	SPS	1	Natural	1-1565749-0	–	Tube	1379658-1	1473672-1
	PBT	1	Natural	1-1565749-1	–	Tube	1379658-1	1473672-1
	PBT	2	Gray	1-1565749-2	–	Tube	1379658-2	1473672-2
	PBT	2	Gray	1-1565749-3	–	Tube	1379658-2	1473672-2

This header will mate with both the EMEA and Asia receptacle. Please review receptacle features prior to selection.

8 Position Right-Angle Header

Technical Features

- Compact design with 2.2mm pitch
- Board fixation screw

Housing Material:

See table

Pin Material:

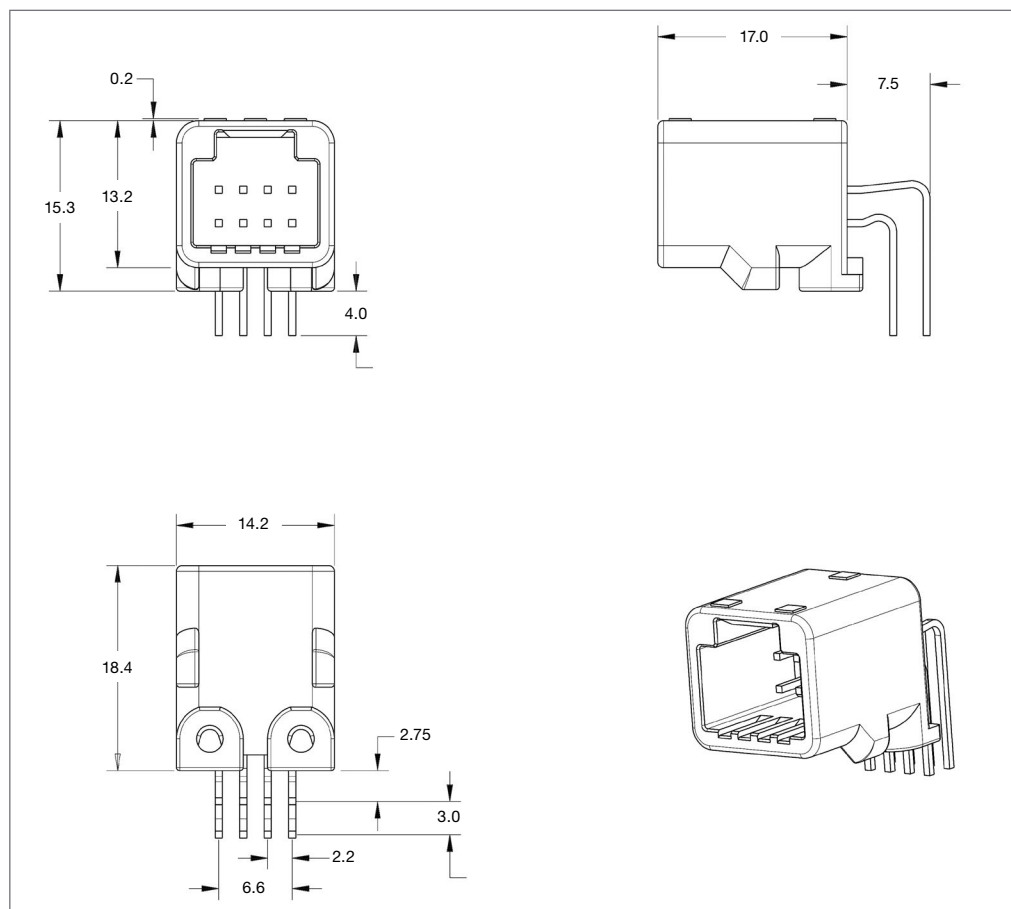
Brass

Product Specification:

108-5668

Application Specification:

114-5250



8 Position Right-Angle Header

No. of Positions	Housing Material	Keying Options	Housing Color	Part Numbers				
				Header	Package Quantity	Packaging	Mating Receptacle Housing for use in EMEA	Mating Receptacle Housing for use in Asia
8	PBT	Neutral	Natural	1376350-1	-	Tube	1379659-5	1376352-1
	PBT		Natural	1376350-2				
	PBT		Natural	1376350-3				
	PBT		Black	1376350-4				
	PBT		Black	1376350-6				
	PBT		Natural	1376350-7				
	PBT		Black	1376350-8				
	SPS		Natural	1376350-9				
	SPS		Natural	1-1376350-0				
	SPS		Black	1-1376350-1				
	SPS		Natural	1-1376350-2				
	SPS		Natural	1-1376350-3				
	PBT		Black	1-1376350-4				
	PBT		Black	1-1376350-5				
	PBT		Black	1-1376350-6				
	PBT		Natural	6376350-3				
	PBT		Black	6376350-4				
	PBT		Natural	1-1376350-7				
	SPS		Black	1-1376350-9				
	SPS		Natural	2-1376350-0				
	PBT		Natural	2-1376350-1				
	PBT		Black	2-1376350-2				
SPS	Natural	2-1376350-3						
SPS	Natural	2-1376350-5						

This header will mate with both the EMEA and Asia receptacle. Please review receptacle features prior to selection.

12 Position Right-Angle Header

Technical Features

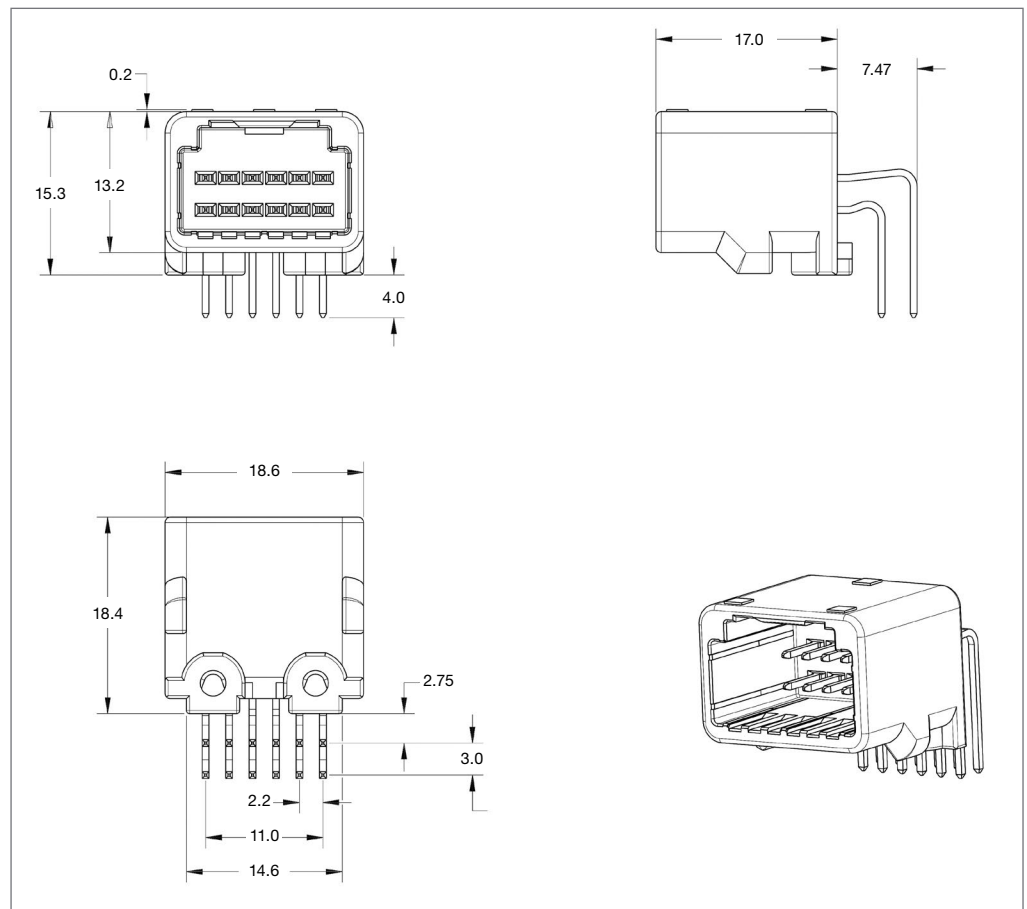
- Compact design with 2.2mm pitch
- Board fixation screw

Housing Material:
see table

Pin Material:
Brass

Product Specification:
108-5668

Application Specification:
114-5250



12 Position Right-Angle Header

No. of Positions	Housing Material	Keying Options	Housing Color	Part Numbers			
				Header	Package Quantity	Packaging	Mating Receptacle Housing for use in EMEA for use in Asia
	PBT		Natural	1318772-1			
	PBT		Natural	1318772-2			
	PBT		Natural	1318772-3			
	PBT		Black	1318772-4			
	PBT		Black	1318772-5			
	PBT		Natural	1318772-6			
	PBT		Black	1318772-7			
	PBT		Natural	1318772-9			
	PBT		Black	1-1318772-0			
	PBT		Black	1-1318772-2			
	SPS		Natural	1-1318772-3			
	SPS		Natural	1-1318772-4			
12	SPS	Neutral	Black	1-1318772-5	-	Tube	1379662-5 1318774-1
	SPS		Natural	1-1318772-6			
	SPS		Black	1-1318772-7			
	SPS		Black	1-1318772-8			
	SPS		Natural	1-1318772-9			
	PBT		Black	2-1318772-0			
	PBT		Black	2-1318772-1			
	PBT		Natural	6318772-3			
	PBT		Black	6318772-4			
	PBT		Black	6318772-5			
	PBT		Natural	2-1318772-2			
	PBT		Black	2-1318772-3			
	SPS		Black	2-1318772-4			

This header will mate with both the EMEA and Asia receptacle. Please review receptacle features prior to selection.

16 Position Right-Angle Header

Technical Features

- Compact design with 2.2mm pitch
- Board fixation screw

Housing Material:

See table

Pin Material:

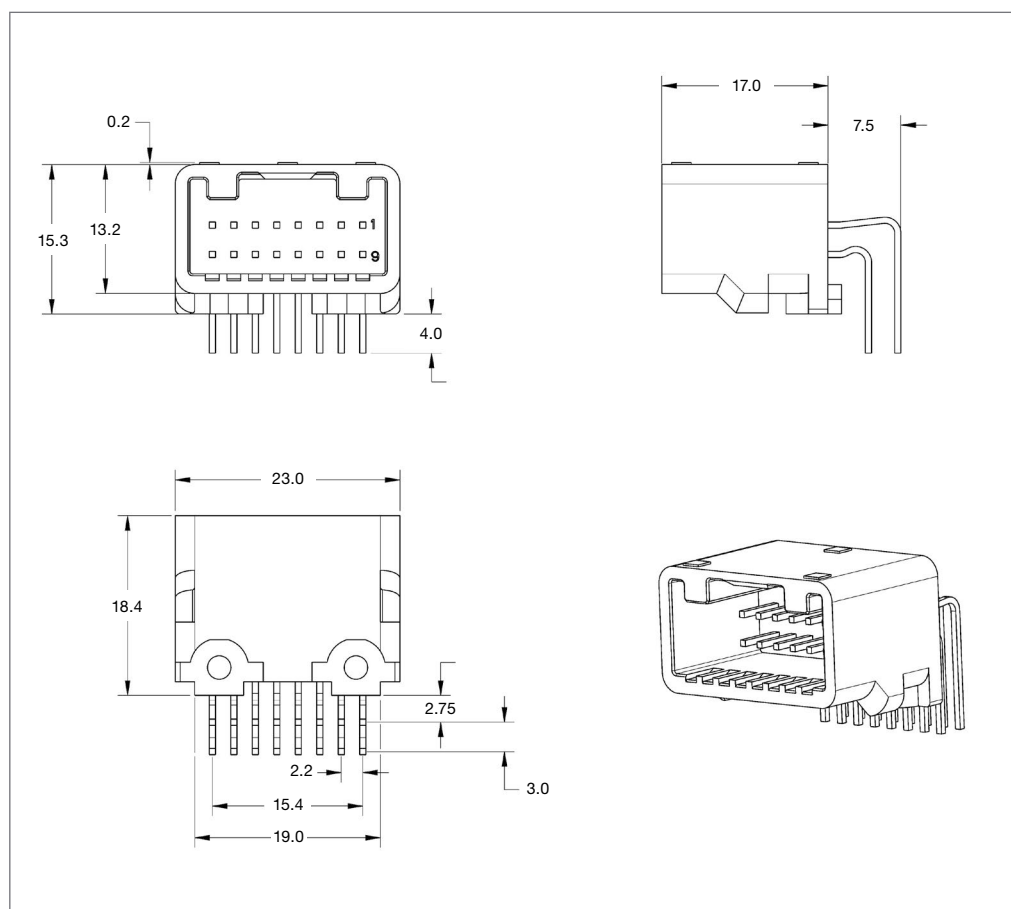
Brass

Product Specification:

108-5668

Application Specification:

114-5250



16 Position Right-Angle Header

No. of Positions	Housing Material	Keying Options	Housing Color	Part Numbers				
				Header	Package Quantity	Packaging	Mating Receptacle Housing for use in EMEA	Housing for use in Asia
16	PBT	Neutral	Natural	1318382-1	-	Tube	1379665-5	1318386-1
	PBT		Natural	1318382-2				
	PBT		Natural	1318382-3				
	PBT		Natural	1318382-4				
	PBT		Black	1318382-5				
	PBT		Natural	1318382-6				
	SPS		Natural	1318382-8				
	PBT		Black	1318382-9				
	PBT		Black	1-1318382-0				
	SPS		Natural	1-1318382-1				
	SPS		Natural	1-1318382-2				
	PBT		Black	1-1318382-3				
	SPS		Natural	1-1318382-4				
	SPS		Natural	1-1318382-5				
	SPS		Natural	1-1318382-6				
	SPS		Natural	1-1318382-7				
	PBT		Natural	1-1318382-8				
	PBT		Natural	6318382-3				
	PBT		Black	6318382-5				
PBT	Natural	6318382-6						

This header will mate with both the EMEA and Asia receptacle. Please review receptacle features prior to selection.

24 Position Right-Angle Header

Technical Features

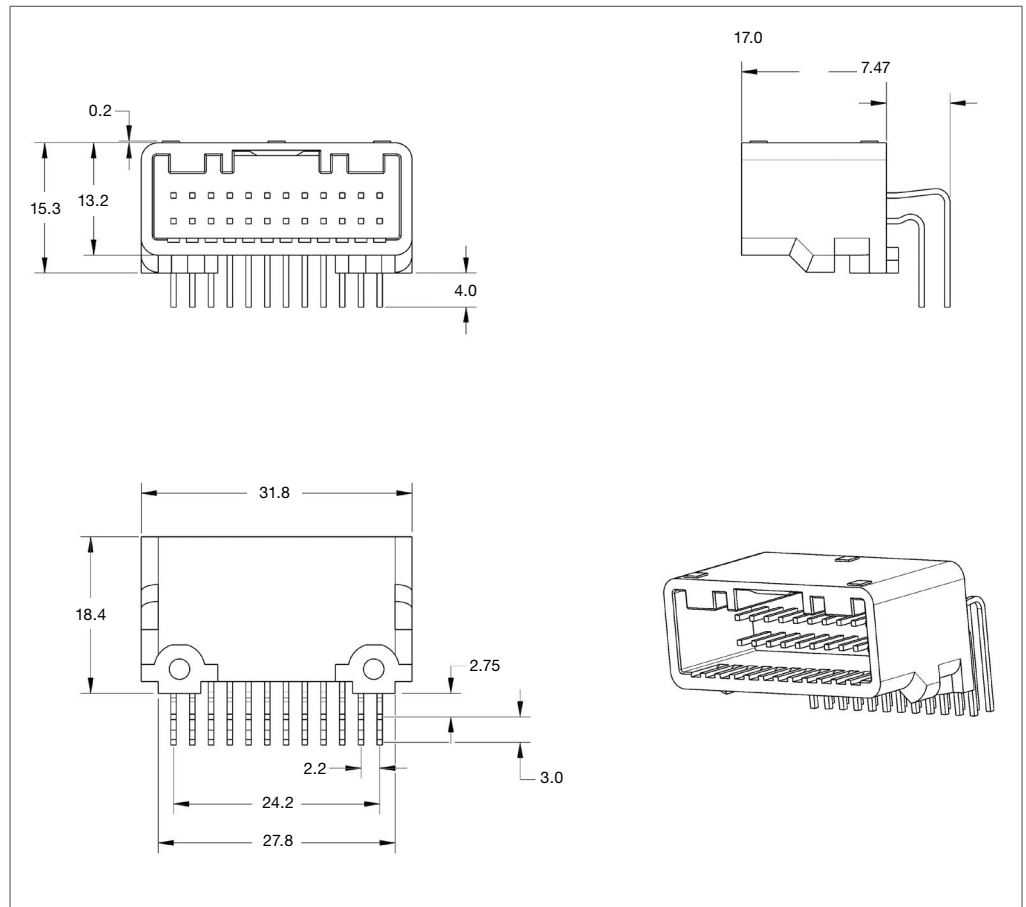
- Compact design with 2.2mm pitch
- Board fixation screw

Housing Material:
see table

Pin Material:
Brass

Product Specification:
108-5668

Application Specification:
114-5250



24 Position Right-Angle Header

No. of Positions	Housing Material	Keying Options	Housing Color	Part Numbers				
				Header	Package Quantity	Packaging	Mating Receptacle Housing for use in EMEA	Housing for use in Asia
24	PBT	Neutral	Natural	1318853-1	-	Tube	1379668-5	1318917-1
	PBT		Natural	1318853-2				
	PBT		Natural	1318853-3				
	PBT		Black	1318853-4				
	PBT		Black	1318853-5				
	PBT		Natural	1318853-8				
	PBT		Black	1318853-9				
	PBT		Natural	1-1318853-0				
	PBT		Black	1-1318853-1				
	PBT		Natural	1-1318853-2				
	SPS		Natural	1-1318853-3				
	SPS		Black	1-1318853-6				
	SPS		Natural	1-1318853-7				

This header will mate with both the EMEA and Asia receptacle. Please review receptacle features prior to selection.

32 Position Right-Angle Header

Technical Features

- Compact design with 2.2mm pitch
- Board fixation screw

Housing Material:

See table

Pin Material:

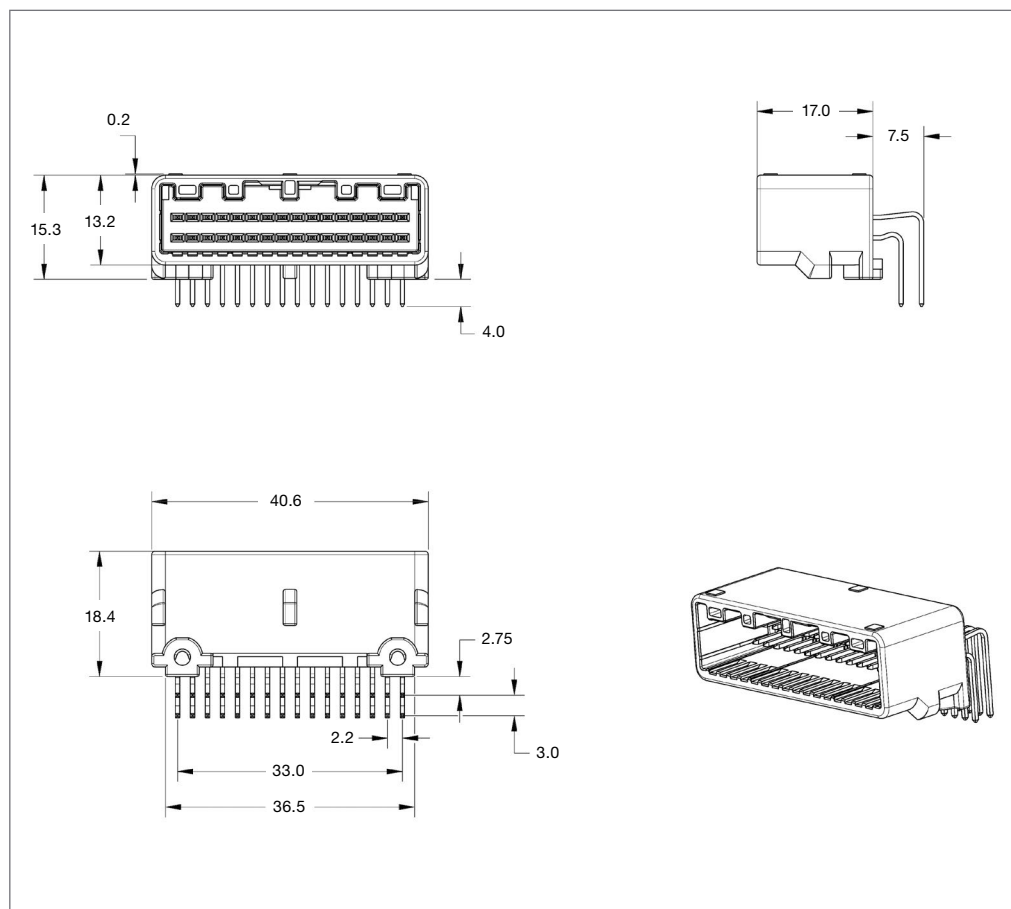
Brass

Product Specification:

108-5668

Application Specification:

114-5250



32 Position Right-Angle Header

No. of Positions	Housing Material	Keying Options	Housing Color	Part Numbers				
				Header	Package Quantity	Packaging	Mating Receptacle Housing for use in EMEA	Housing for use in Asia
32	PBT	Neutral	Natural	1318745-1	-	Tube	NA	1318747-1
	PBT			1318745-2				
	PBT			1318745-3				
	PBT			1318745-4				
	SPS			1318745-5				
	PBT			1318745-6				
	SPS			1318745-7				
	SPS			1318745-8				
	PBT			1318745-9				
	PBT			1-1318745-0				

This header will mate with both the EMEA and Asia receptacle. Please review receptacle features prior to selection.

40 Position Right-Angle Header

Technical Features

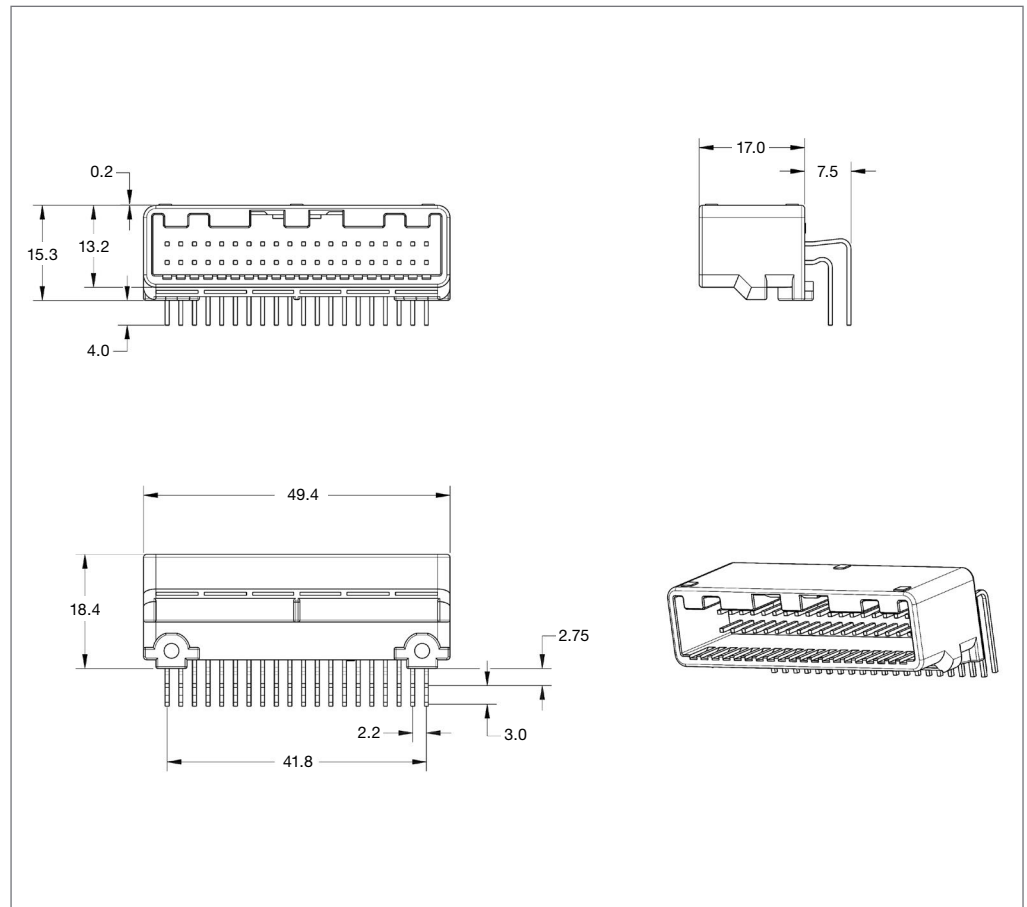
- Compact design with 2.2mm pitch
- Board fixation screw

Housing Material:
see table

Pin Material:
Brass

Product Specification:
108-5668

Application Specification:
N/A



40 Position Right-Angle Header

No. of Positions	Housing Material	Keying Options	Housing Color	Part Numbers				
				Header	Package Quantity	Packaging	Mating Receptacle Housing for use in EMEA	Housing for use in Asia
40	PBT	Neutral	Natural	1318384-1	-	Tube	1379671-5	1318389-1
	PBT		Natural	1318384-2				
	PBT		Natural	1318384-4				
	PBT		Natural	1318384-5				
	PBT		Natural	1318384-7				
	PBT		Black	1-1318384-0				
	SPS		Natural	1-1318384-2				
	SPS		Natural	1-1318384-3				
	PBT		Black	1-1318384-4				
	PBT		Natural	1-1318384-5				
	PBT		Natural	1-1318384-6				
	SPS		Natural	1-1318384-7				
	PBT		Natural	1-1318384-8				
	PBT		Natural	1-1318384-9				
	PBT		Natural	6318384-5				
	SPS		Natural	2-1318384-0				
	SPS		Natural	2-1318384-3				
	PBT		Black	2-1318384-4				
PBT	Natural	2-1318384-6						

This header will mate with both the EMEA and Asia receptacle. Please review receptacle features prior to selection.

12 Position Vertical Header

Technical Features

- Compact design with 2.2mm pitch
- Board fixation screw

Housing Material:

See table

Pin Material:

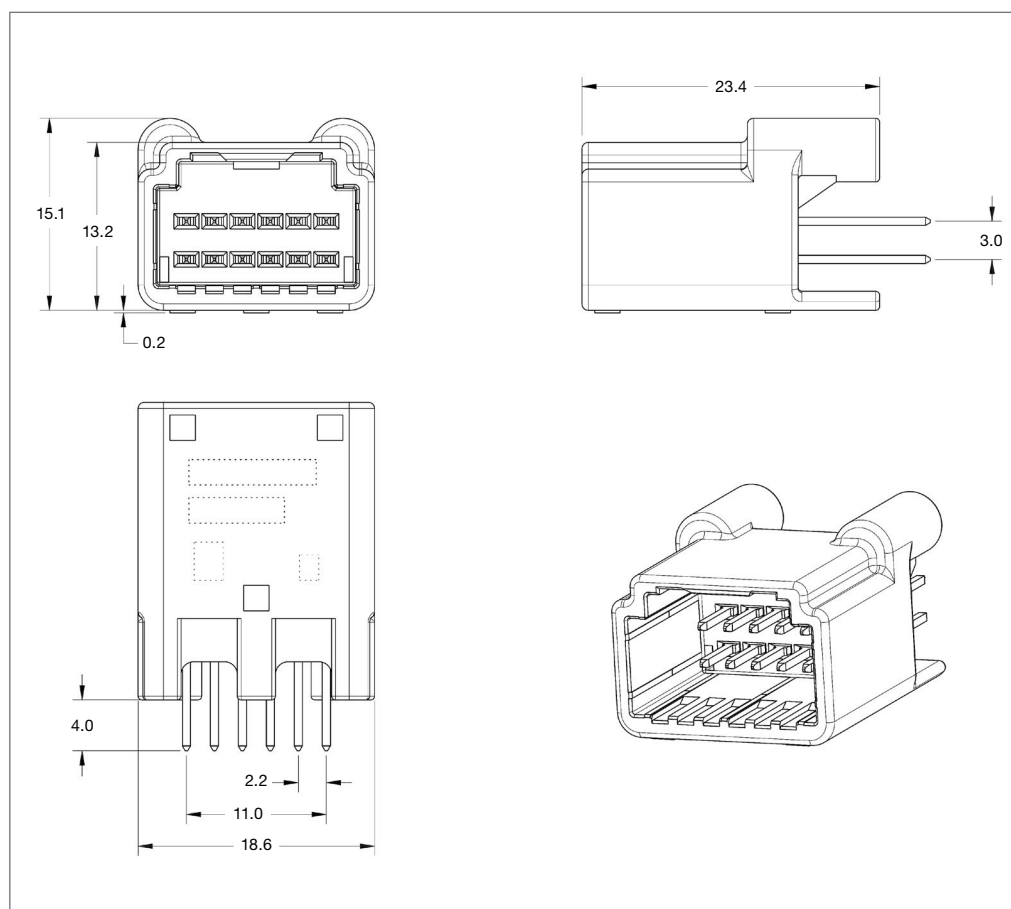
Brass

Product Specification:

108-5668

Application Specification:

114-5250



12 Position Vertical Header

No. of Positions	Housing Material	Keying Options	Housing Color	Part Numbers				
				Header	Package Quantity	Packaging	Mating Receptacle Housing for use in EMEA	Housing for use in Asia
12	PBT	Neutral	Natural	1473898-1	-	Tube	1379662-5	1318774-1
	SPS		Natural	1473898-2				
	SPS		Natural	1473898-3				
	SPS		Natural	1473898-4				
	SPS		Natural	1473898-5				
	PBT		Natural	1473898-6				
	SPS		Natural	1473898-7				
	SPS		Gray	1473898-8				
	SPS		Gray	1473898-9				
	PBT		Natural	1-1473898-1				

This header will mate with both the EMEA and Asia receptacle. Please review receptacle features prior to selection.

16 Position Vertical Header

Technical Features

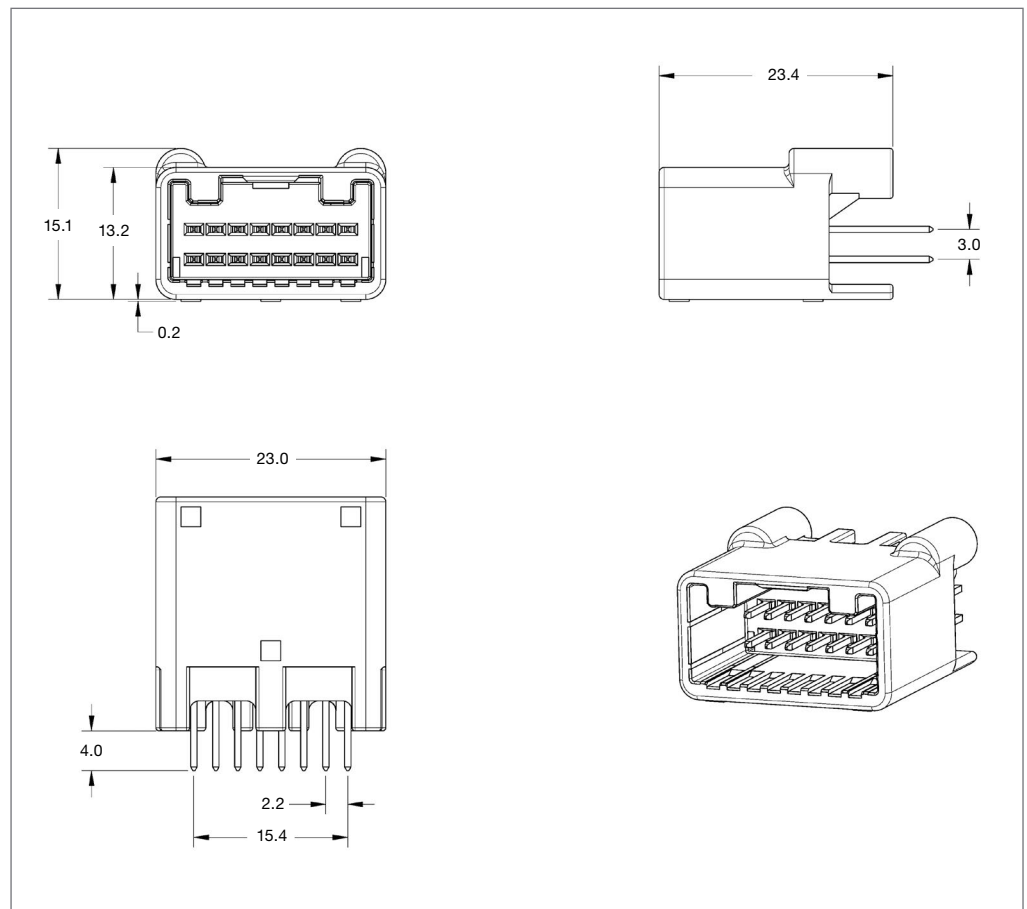
- Compact design with 2.2mm pitch
- Board fixation screw

Housing Material:
See table

Pin Material:
Brass

Product Specification:
108-5668

Application Specification:
114-5250



16 Position Vertical Header

No. of Positions	Housing Material	Keying Options	Housing Color	Part Numbers				
				Header	Package Quantity	Packaging	Mating Receptacle Housing for use in EMEA	Housing for use in Asia
16	PBT	Neutral	Natural	1565476-1	-	Tube	1379665-5	1318386-1
			Black	1565476-2				
			Natural	1565476-4				

This header will mate with both the EMEA and Asia receptacle. Please review receptacle features prior to selection.

24 Position Vertical Header

Technical Features

- Compact design with 2.2mm pitch
- Board fixation screw

Housing Material:

See table

Pin Material:

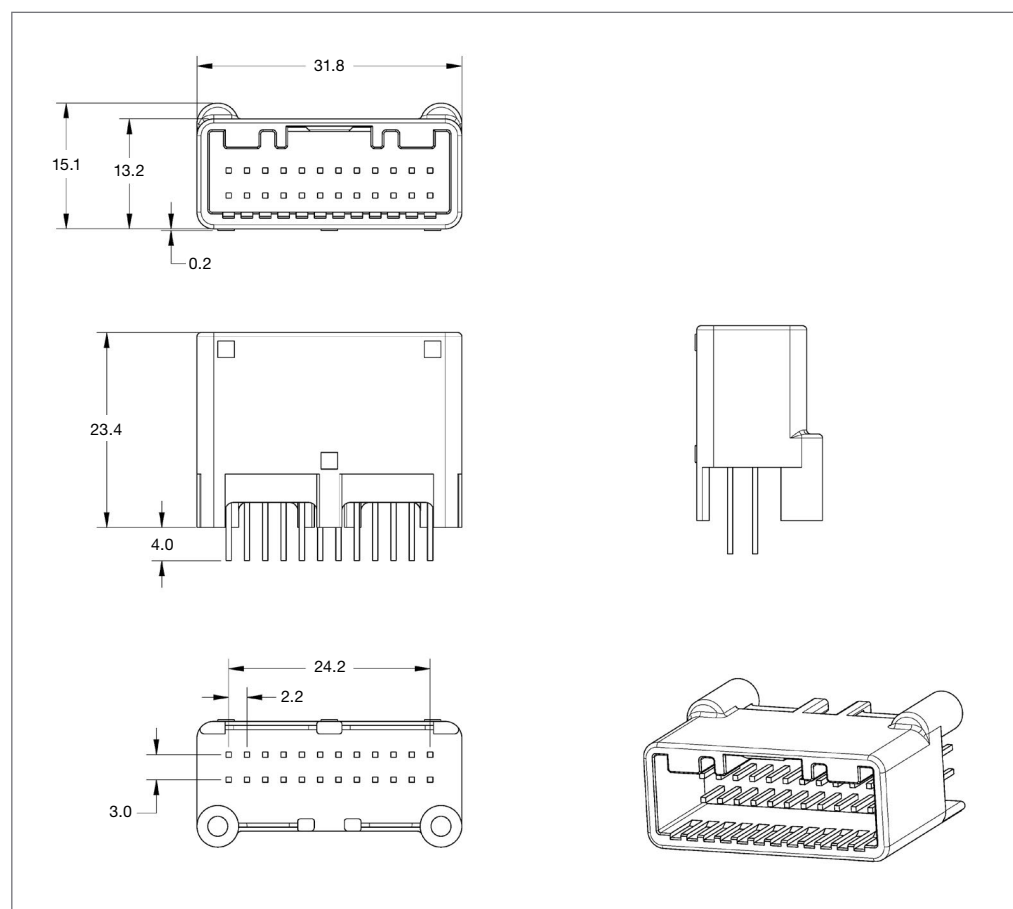
Brass

Product Specification:

108-5668

Application Specification:

114-5250



24 Position Vertical Header

No. of Positions	Housing Material	Keying Options	Housing Color	Part Numbers				
				Header	Package Quantity	Packaging	Mating Receptacle Housing for use in EMEA	Housing for use in Asia
24	PBT	Neutral	Natural	1376111-1	-	Tube	1379668-5	1318917-1
	PBT		Natural	1376111-2				
	SPS		Natural	1376111-5				
	SPS		Natural	1376111-6				
	PBT		Natural	1376111-7				
	SPS		Black	1376111-8				
	SPS		Black	1376111-9				
	SPS		Natural	1-1376111-1				
	SPS		Black	1-1376111-3				

This header will mate with both the EMEA and Asia receptacle. Please review receptacle features prior to selection.

40 Position Vertical Header

Technical Features

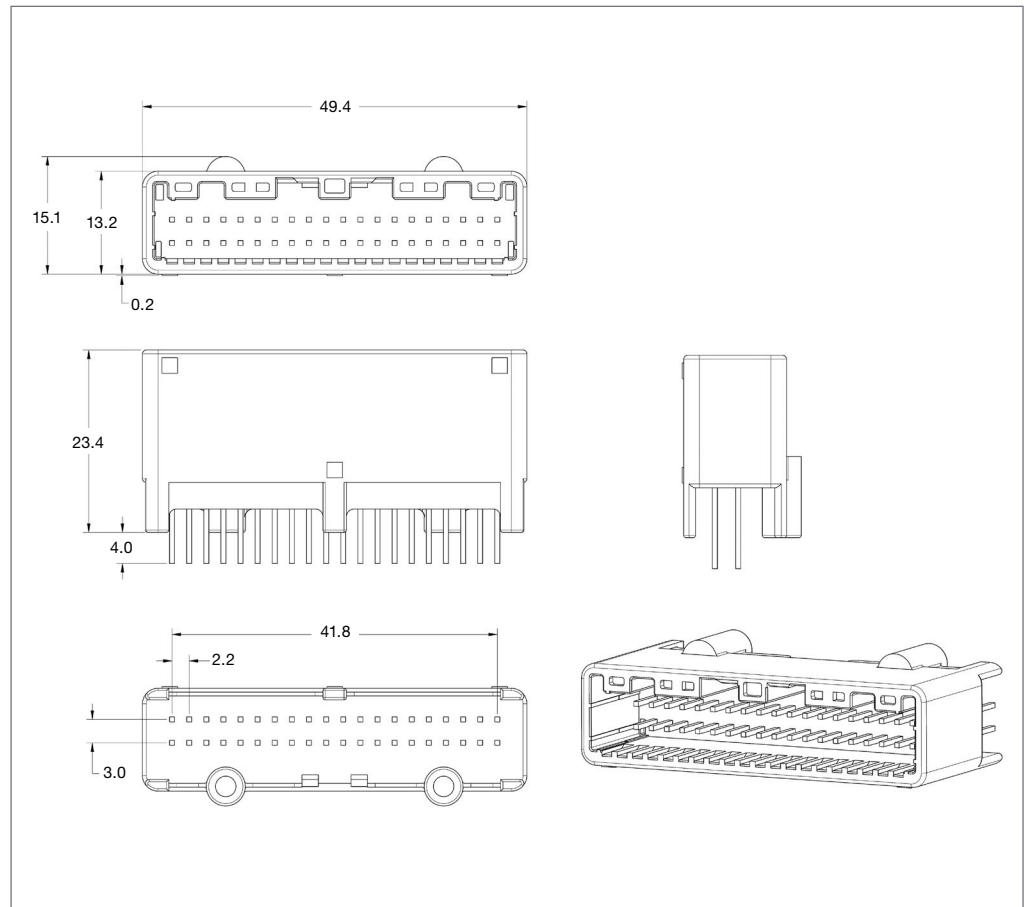
- Compact design with 2.2mm pitch
- Board fixation screw

Housing Material:
See table

Pin Material:
Brass

Product Specification:
108-5668

Application Specification:
114-5250



40 Position Vertical Header

No. of Positions	Housing Material	Keying Options	Housing Color	Part Numbers				
				Header	Package Quantity	Packaging	Mating Receptacle Housing for use in EMEA	Housing for use in Asia
40	PBT	Neutral	Natural	1376113-1	-	Tube	1379668-5	1318917-1
	PBT		Natural	1376113-2				
	SPS		Natural	1376113-5				
	PBT		Natural	1376113-6				
	SPS		Natural	1376113-7				
	PBT		Natural	1376113-8				
	SPS		Natural	1376113-9				
	SPS		Black	1-1376113-1				
	PBT		Natural	1-1376113-3				

This header will mate with both the EMEA and Asia receptacle. Please review receptacle features prior to selection.

8 Position SMD Header – Vertical

Technical Features

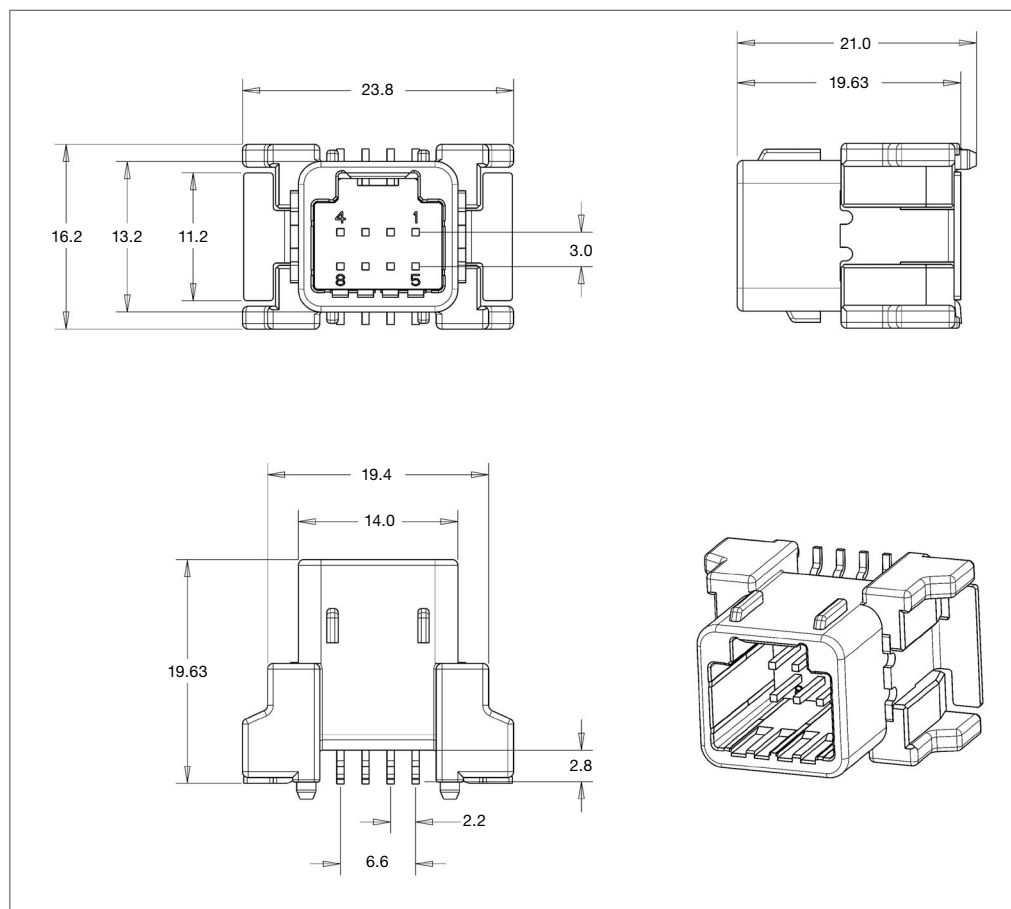
- Compact design with 2.2mm pitch
- Designed for Reflow Leadfree Process
- Board fixation screw
- Locating Pin (PCB Mechanical Coding)

Housing Material:
 See table

Pin Material:
 Brass

Product Specification:
 108-78295

Application Specification:
 411-78145



8 Position SMD Header – Vertical

No. of Positions	Housing Material	Keying Options	Housing Color	Part Numbers			Mating Receptacle Housing	
				Header	Package Quantity	Packaging	for use in EMEA	for use in Asia
8	PPS	Neutral	Black	1939403-1	–	Tube	1379659-5	1376352-1
				1939403-2	–	Tube		
				1939403-3	–	Tray		

This header will mate with both the EMEA and Asia receptacle. Please review receptacle features prior to selection.

16 Position SMD Header – Vertical

Technical Features

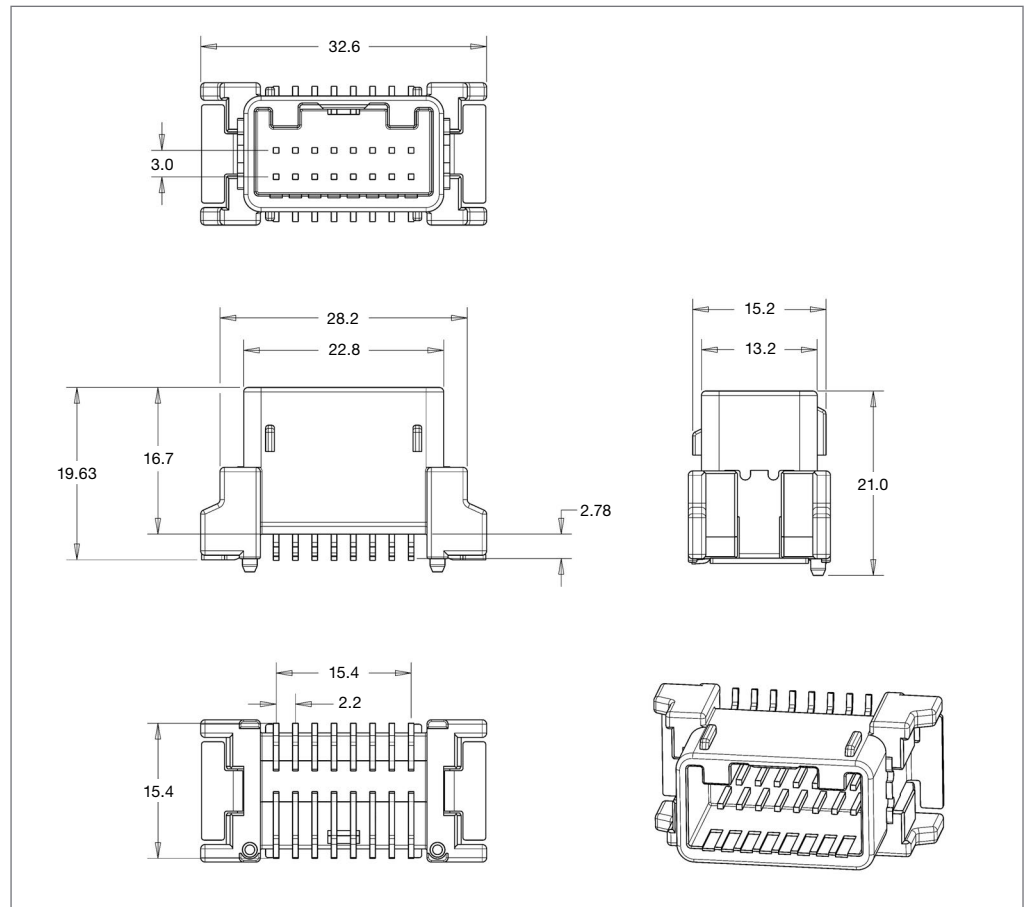
- Compact design with 2.2mm pitch
- Designed for Reflow Leadfree Process
- Board fixation screw
- Locating Pin (PCB Mechanical Coding)

Housing Material:
See table

Pin Material:
Brass

Product Specification:
108-78295

Application Specification:
411-78145



16 Position SMD Header – Vertical

No. of Positions	Housing Material	Keying Options	Housing Color	Part Numbers				
				Header	Package Quantity	Packaging	Mating Receptacle Housing for use in EMEA	Housing for use in Asia
16	PPS	Neutral	Black	1717396-1	–	Tube	1379665-5	1318386-1
				1717396-2	–	Tube		
				1717396-3	–	Tray		

This header will mate with both the EMEA and Asia receptacle. Please review receptacle features prior to selection.

24 Position SMD Header – Vertical

Technical Features

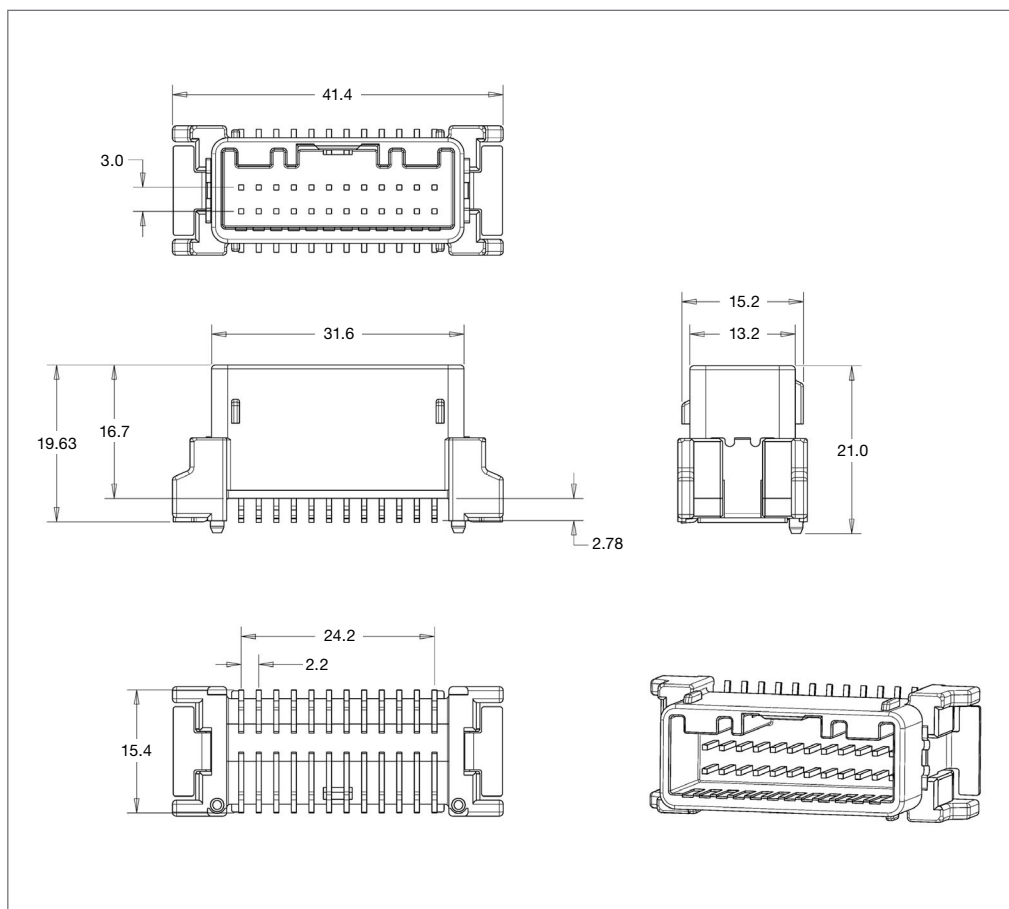
- Compact design with 2.2mm pitch
- Designed for Reflow Leadfree Process
- Board fixation screw
- Locating Pin (PCB Mechanical Coding)

Housing Material:
 See table

Pin Material:
 Brass

Product Specification:
 108-78295

Application Specification:
 411-78145



24 Position SMD Header – Vertical

No. of Positions	Housing Material	Keying Options	Housing Color	Part Numbers				
				Header	Package Quantity	Packaging	Mating Receptacle Housing for use in EMEA	Housing for use in Asia
24	PPS	Neutral	Black	1717394-1 1717394-2	–	Tube	1379668-5	1318917-1

This header will mate with both the EMEA and Asia receptacle. Please review receptacle features prior to selection.

40 Position SMD Header – Vertical

Technical Features

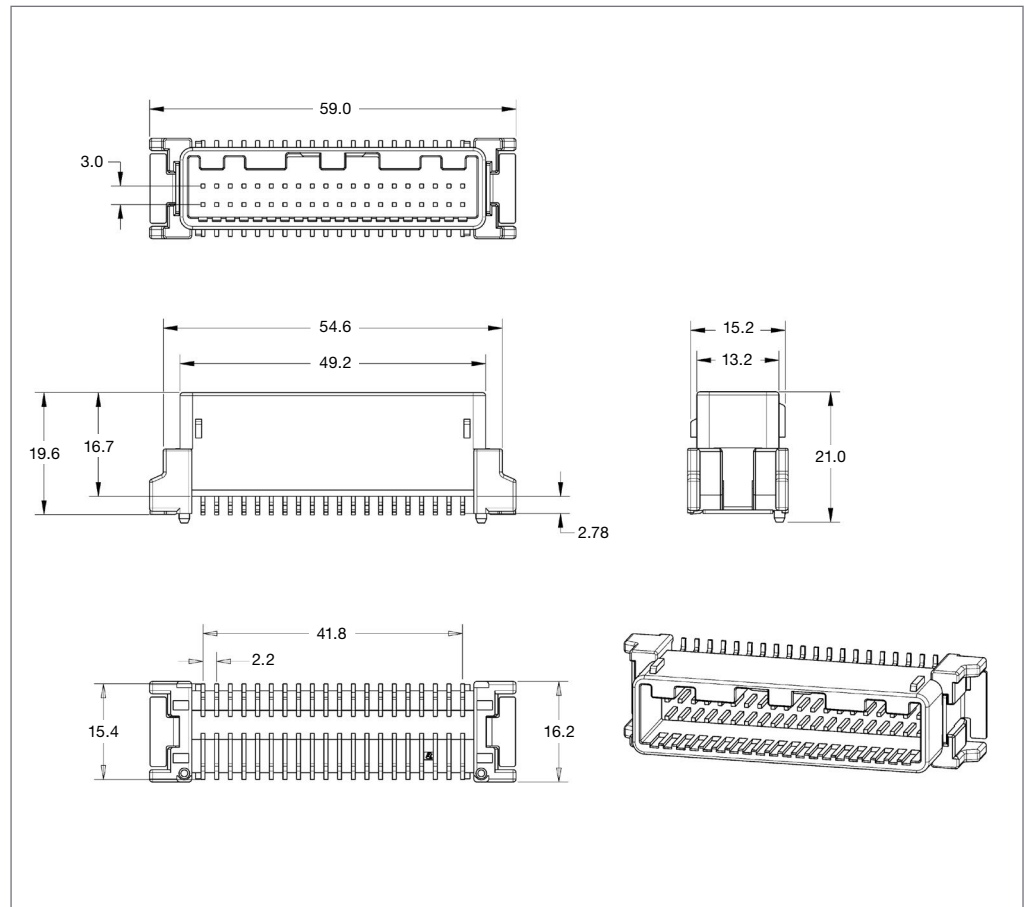
- Compact design with 2.2mm pitch
- Designed for Reflow Leadfree Process
- Board fixation Solder peg
- Locating Pin

Housing Material:
See table

Pin Material:
Brass

Product Specification:
108-78295

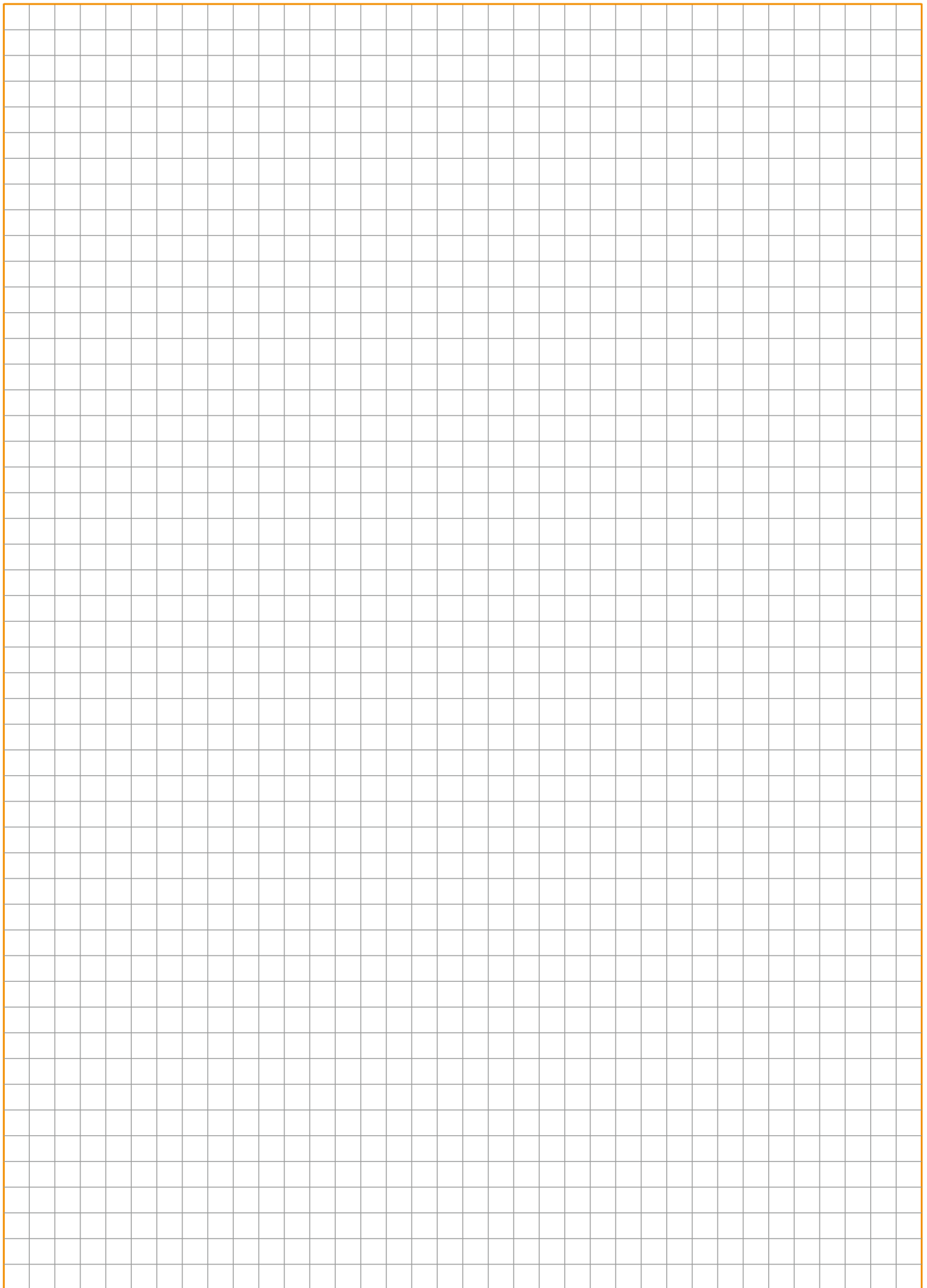
Application Specification:
411-78145



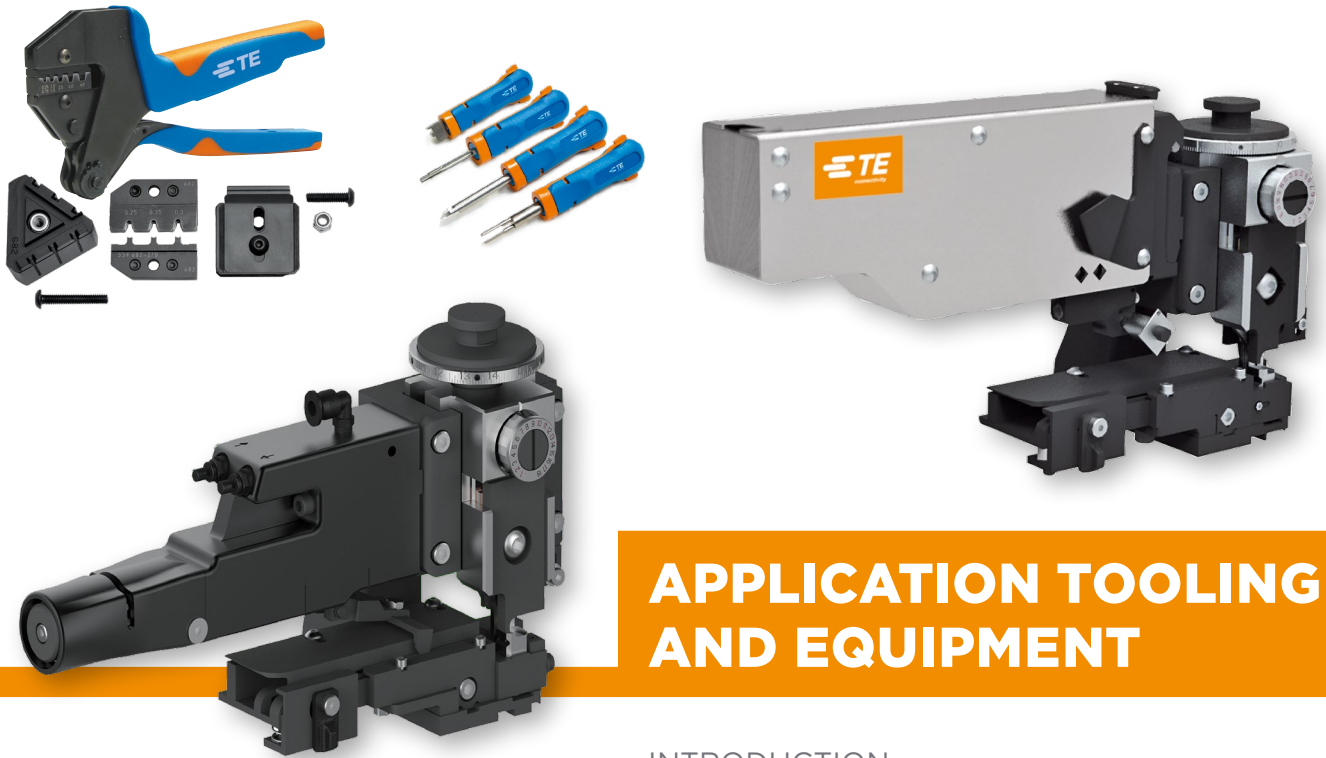
40 Position SMD Header – Vertical

No. of Positions	Housing Material	Keying Options	Housing Color	Part Numbers				
				Header	Package Quantity	Packaging	Mating Receptacle Housing for use in EMEA	Mating Receptacle Housing for use in Asia
40	PPS	Neutral	Black	1747642-1 1747642-2	–	Tube	1379671-5	1318389-1

This header will mate with both the EMEA and Asia receptacle. Please review receptacle features prior to selection.



Images representative of tool type only.



APPLICATION TOOLING AND EQUIPMENT

INTRODUCTION

TE Application Tooling is dedicated to providing high quality equipment options to meet all levels of our connector products specifications. We are also able to provide a broad range of equipment for other manufacturer's products.

Our equipment range is vast and almost unmatched by others operating in the same industry segments, as is our global presence and support network in the form of field service engineers and product managers. We supply everything from simple hand tools to the most complex automated systems.

Equipment is segregated into two types and managed accordingly:

Generic equipment

Where we can supply you with sufficient information referenced by Part Number such that you can identify and order what you need yourself.

Specialised Equipment

Where you will need help from our specialist product managers to identify what's just right for your Application.

Finding Equipment Online

www.tooling.te.com

- Powerful searches to find generic equipment options (Hand Tools / Applicators)
- Brochures and more detailed flyers for the specialised equipment.
- It's quick, easy and more importantly the latest and most up to date information is available online.

Regional Assistance

www.te.com/support-center

Numerical Index

Part Number	Page	Part Number	Page	Part Number	Page
1-1318382-0	22	1-1565749-3	19	1376113-6	29
1-1318382-1	22	1-1612446-8	28	1376113-7	29
1-1318382-2	22	1123343-2	2	1376113-8	29
1-1318382-3	22	1276565-1	2	1376113-9	29
1-1318382-4	22	1318382-1	22	1376350-1	20
1-1318382-5	22	1318382-2	22	1376350-2	20
1-1318382-6	22	1318382-3	22	1376350-3	20
1-1318382-7	22	1318382-4	22	1376350-4	20
1-1318382-8	22	1318382-5	22	1376350-6	20
1-1318384-0	25	1318382-6	22	1376350-7	20
1-1318384-2	25	1318382-8	22	1376350-8	20
1-1318384-3	25	1318382-9	22	1376350-9	20
1-1318384-4	25	1318384-1	25	1376352-1	20, 30
1-1318384-5	25	1318384-2	25	1379604-1	16
1-1318384-6	25	1318384-4	25	1379604-2	16
1-1318384-7	25	1318384-5	25	1379658-1	4, 10, 15, 19
1-1318384-8	25	1318384-7	25	1379658-2	4, 10, 15, 19
1-1318384-9	25	1318386-1	22, 27, 31	1379658-3	4
1-1318745-0	24	1318389-1	25, 33	1379658-3	10
1-1318772-0	21	1318745-1	24	1379658-4	4, 10
1-1318772-2	21	1318745-2	24	1379659-1	5, 18
1-1318772-3	21	1318745-3	24	1379659-2	5, 18
1-1318772-4	21	1318745-4	24	1379659-3	5, 18
1-1318772-5	21	1318745-5	24	1379659-4	5
1-1318772-6	21	1318745-6	24	1379659-5	5, 11, 20, 30
1-1318772-7	21	1318745-7	24	1379662-1	6, 12
1-1318772-8	21	1318745-8	24	1379662-2	6, 12
1-1318772-9	21	1318745-9	24	1379662-3	6, 12
1-1318853-0	23	1318747-1	24	1379662-4	6, 12
1-1318853-1	23	1318772-1	21	1379662-5	6, 12
1-1318853-2	23	1318772-2	21	1379662-5	21, 26
1-1318853-3	23	1318772-3	21	1379665-1	7, 13
1-1318853-6	23	1318772-4	21	1379665-2	7, 13
1-1318853-7	23	1318772-5	21	1379665-3	7, 13
1-1376111-1	28	1318772-6	21	1379665-4	7, 13
1-1376111-3	28	1318772-7	21	1379665-5	7, 13
1-1376113-1	29	1318772-9	21	1379665-5	22, 27, 31
1-1376113-3	29	1318774-1	21, 26	1379668-1	8, 14, 16
1-1376350-0	20	1318853-1	23	1379668-2	8, 14, 16
1-1376350-1	20	1318853-2	23	1379668-3	8, 14
1-1376350-2	20	1318853-3	23	1379668-4	8, 14
1-1376350-3	20	1318853-4	23	1379668-5	8, 14, 23, 28, 29, 32
1-1376350-4	20	1318853-5	23	1379671-1	9, 17
1-1376350-5	20	1318853-8	23	1379671-2	9, 17
1-1376350-6	20	1318853-9	23	1379671-3	9
1-1376350-7	20	1318917-1	23, 28, 29, 32	1379671-4	9, 17
1-1376350-9	20			1379671-5	9, 25, 33
1-1379602-1	17	1376111-1	28	1379674-1	4, 10
1-1379602-2	17	1376111-2	28	1379674-2	4, 10
1-1379602-4	17	1376111-5	28	1379674-3	4, 10
1-1379658-1	4, 10	1376111-6	28	1379674-4	4, 10
1-1379674-1	4, 10	1376111-7	28	1379675-1	6, 12
1-1379684-1	18	1376111-8	28	1379675-2	6, 12
1-1473898-1	26	1376111-9	28	1379675-3	6, 12
1-1565749-0	19	1376113-1	29	1379675-4	6, 12
1-1565749-1	19	1376113-2	29	1379675-5	6, 12
1-1565749-2	19	1376113-5	29		

Numerical Index

Part Number	Page		
1379678-1	7, 13	1939403-3	30
1379678-2	7, 13	1939403-4	30
1379678-3	7, 13	2-1318384-0	25
1379678-4	7, 13	2-1318384-3	25
1379678-5	7, 13	2-1318384-4	25
1379681-1	8, 14	2-1318384-6	25
1379681-2	8, 14	2-1318772-0	21
1379681-3	8, 14	2-1318772-1	21
1379681-4	8, 14	2-1318772-2	21
1379681-5	8, 14	2-1318772-3	21
1379684-1	18	2-1318772-4	21
1379684-2	18	2-1376350-0	20
1379684-3	18	2-1376350-1	20
1379684-4	18	2-1376350-2	20
1379684-5	18	2-1376350-3	20
1379684-6	18	2-1376350-5	20
1379684-7	18	2005097-1	2
1379700-1	15	2005098-1	3
1379700-2	15	6318382-3	22
1473672-1	19	6318382-5	22
1473672-2	19	6318382-6	22
1473898-1	26	6318384-5	25
1473898-2	26	6318772-3	21
1473898-3	26	6318772-4	21
1473898-4	26	6318772-5	21
1473898-5	26	6376350-3	20
1473898-6	26	6376350-4	20
1473898-7	26		
1473898-8	26		
1473898-9	26		
1565476-1	27		
1565476-2	27		
1565476-4	27		
1565749-1	19		
1565749-3	19		
1565749-4	19		
1565749-5	19		
1565749-6	19		
1565749-7	19		
1565749-8	19		
1565804-2	5		
1565804-2	11		
1579007-8	3		
1674298-1	2		
1674742-1	3		
1717394-1	32		
1717394-2	32		
1717396-1	31		
1717396-2	31		
1717396-3	31		
1747642-1	33		
1747642-2	33		
1801069-2	2		
1801248-2	2		
1939403-1	30		
1939403-2	30		

TE CONNECTIVITY ONLINE

TE.com offers an enhanced digital experience, with more than 250,000 parts profiled. The site has deep, rich product data and easier access to tools and services. Other offerings include improved search and navigation and knowledge and idea sharing.



COLLATERAL

TE.com offers a variety of product-specific catalogs, brochures, white papers and other technical information. To download our literature visit

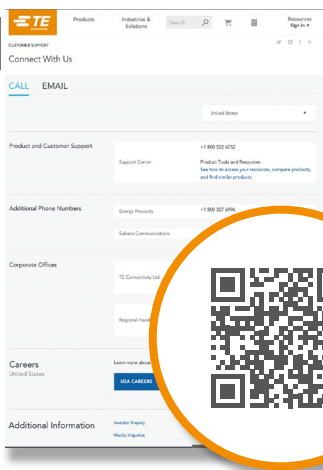
www.te.com/automotiveliterature.html



PRODUCT INFORMATION

Search for a specific product by category, part number or document number.

www.TE.com



STAY CONNECTED

You can rely on TE's PIC Team to answer your general or technical questions. To contact a PIC representative, visit

www.TE.com/support-center

EUROPE

Product Information Center
EMEA

Product Information Center:
Phone: +49 (0)6251 133-1999

UNITED STATES

United States - Harrisburg

Product Information Center:
Phone: +1 800-522-6752
Fax: +1 717-986-7575

SOUTH AMERICA

South America

Phone: +54 11-4733-2015
Fax: +54 11-4733-2083

AFRICA

South Africa -
Port Elizabeth

Phone: +27 41-503-4500
Fax: +27 41-581-0440

ASIA/PACIFIC

Australia - Sydney

Product Information Center:
Phone: +61 2-9840-8200
Fax: +61 2-9634-6188

People's Republic of China

Hong Kong
Phone: +852 2738-8731
Fax: +852 2735-0243

People's Republic of China

Shanghai
Phone: +86 21-3398-0000
Fax: +86 21-3398-1999

Korea - Seoul

Phone: +82 2-3415-4500
Fax: +82 2-3486-3810

DISCLAIMER

While TE Connectivity (TE) has made every reasonable effort to ensure the accuracy of the information in this catalog, TE does not guarantee that it is error-free, nor does TE make any other representation, warranty or guarantee that the information is accurate, correct, reliable or current. TE reserves the right to make any adjustments to the information contained herein at any time without notice.

TE expressly disclaims all implied warranties regarding the information contained herein, including, but not limited to, any implied warranties of merchantability or fitness for a particular purpose. The dimensions in this catalog are for reference purposes only and are subject to change without notice. Specifications are subject to change without notice. Consult TE for the latest dimensions and design specifications.

TRADEMARKS

TE, TE Connectivity, TE connectivity (logo), and EVERY CONNECTION COUNTS are trademarks.

Other product names, logos, and company names mentioned herein may be trademarks of their respective owners.

COPYRIGHT

© 2018 TE Connectivity

All rights reserved.

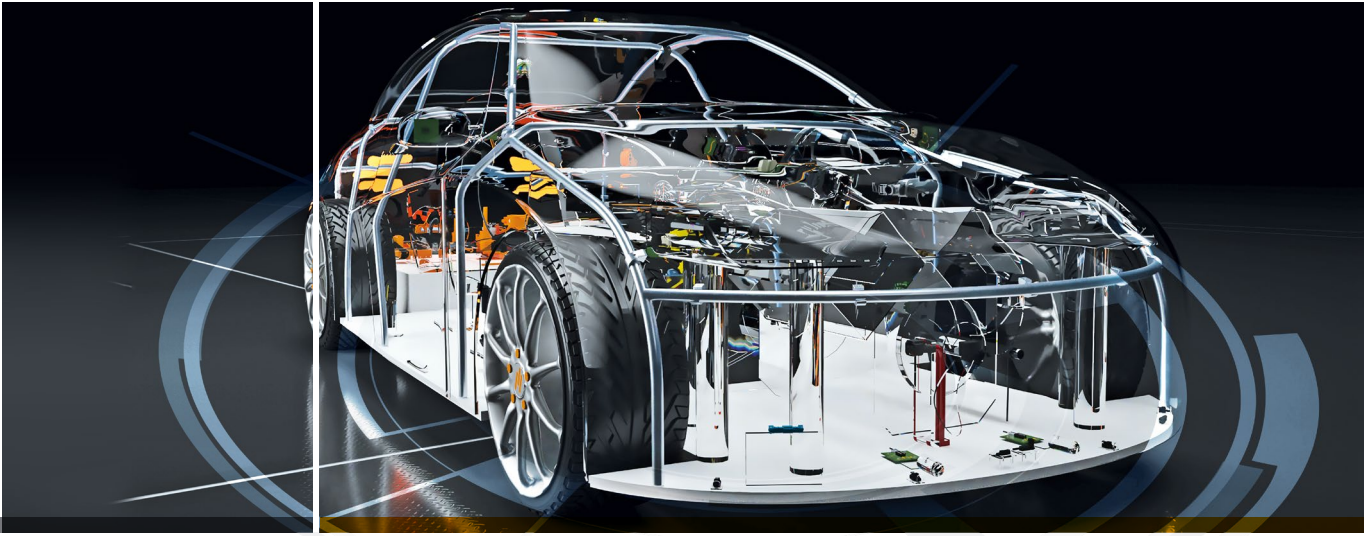
TE Connectivity Germany GmbH certified acc. ISO 14001 and ISO/TS 16949:2002

TE Connectivity Germany GmbH

Ampèrestrasse 12-14 | 64625 Bensheim | Germany

Phone: +49 (0)6251 133-0

Fax: +49 (0)6251 133-1600



TE Connectivity
Automotive ONLINE